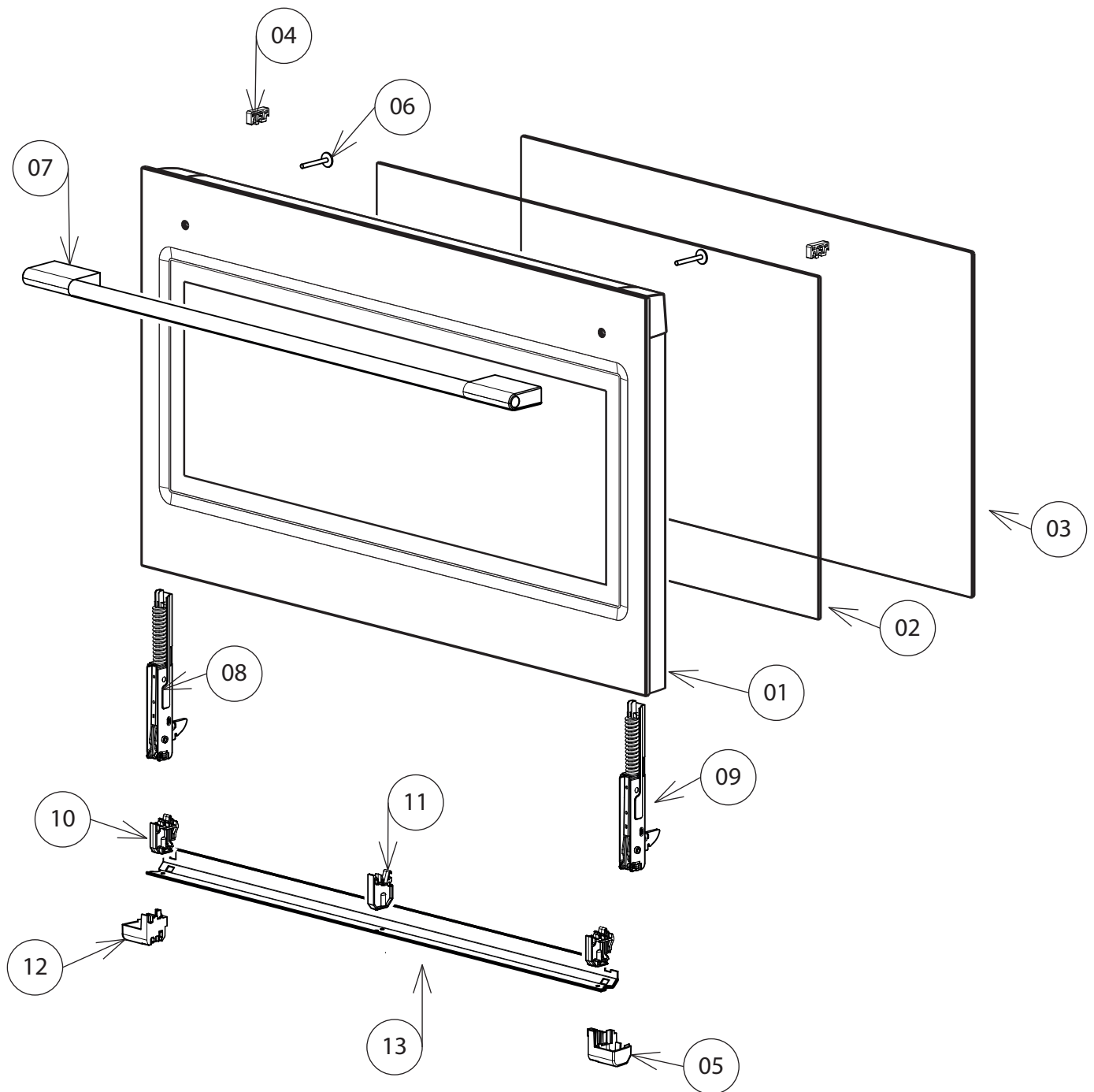


Product: **Gas built-in oven**Model: **VEBIG30NSS**

Product code	Serial No.	Product remark	Issue No.	Issue Date
F3A0VR001X				October 2020

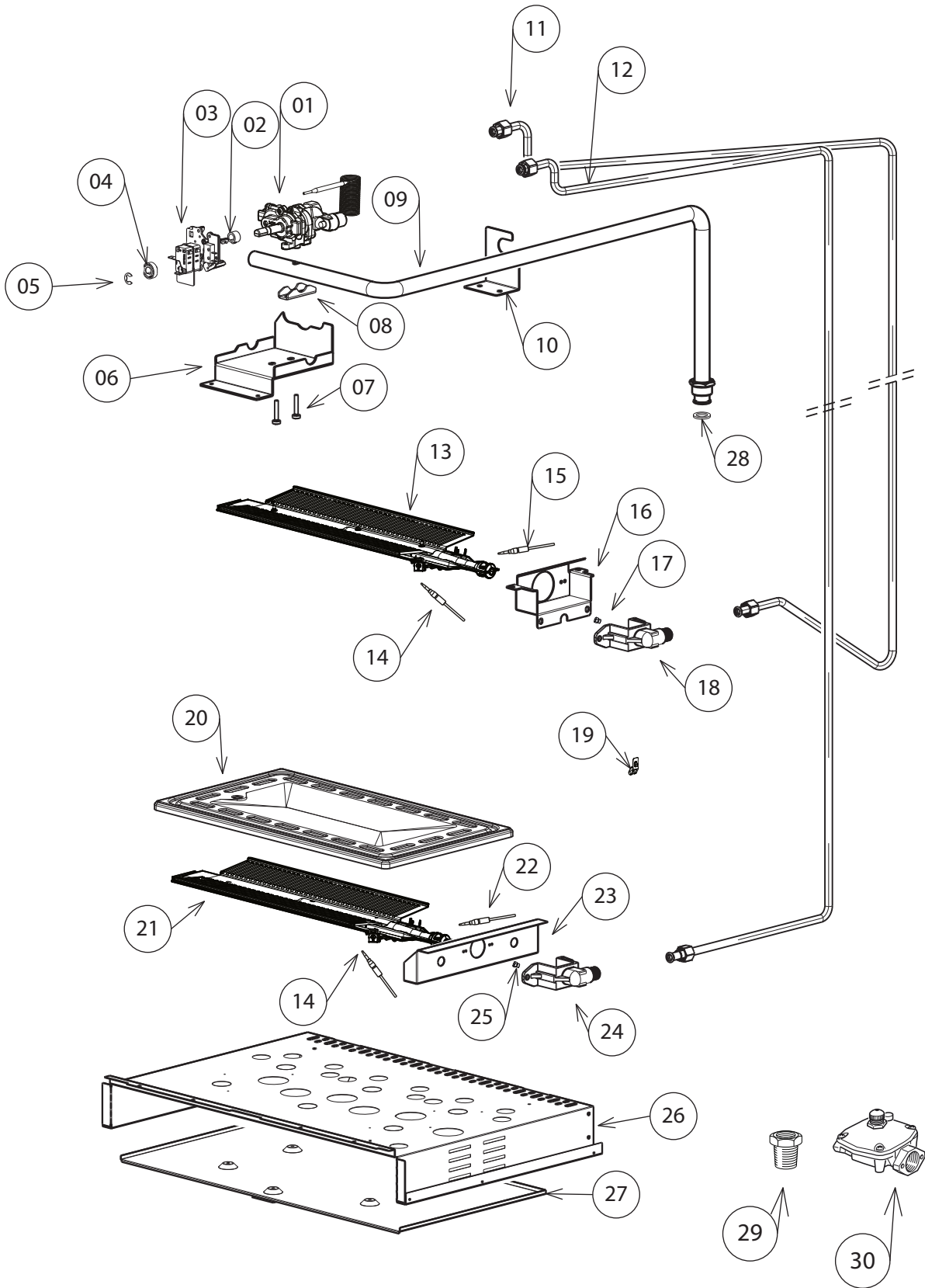
DOOR COMPONENTS



DOOR COMPONENTS

REF.	PART NUMBER	PART DESCRIPTION
01	032F3A01	OVEN DOOR GLASS
02	0312810	MIDDLE INNER GLASS
03	0312813	INNER DOOR GLASS
04	040082	RUBBER
05	081115	RIGHT CORNER PLUG
06	001344	SCREW M5X43 TL x BRUGOLA5
07	0373992NT	OVEN DOOR HANDLE
08	063131	OVEN DOOR HINGE
09	063155	OVEN DOOR HINGE
10	069097	RETAINER DOOR GLASS
11	069098	SUPPORT DOOR GLASS
12	081116	LEFT CORNER PLUG
13	51BF904A	LOWER BAR

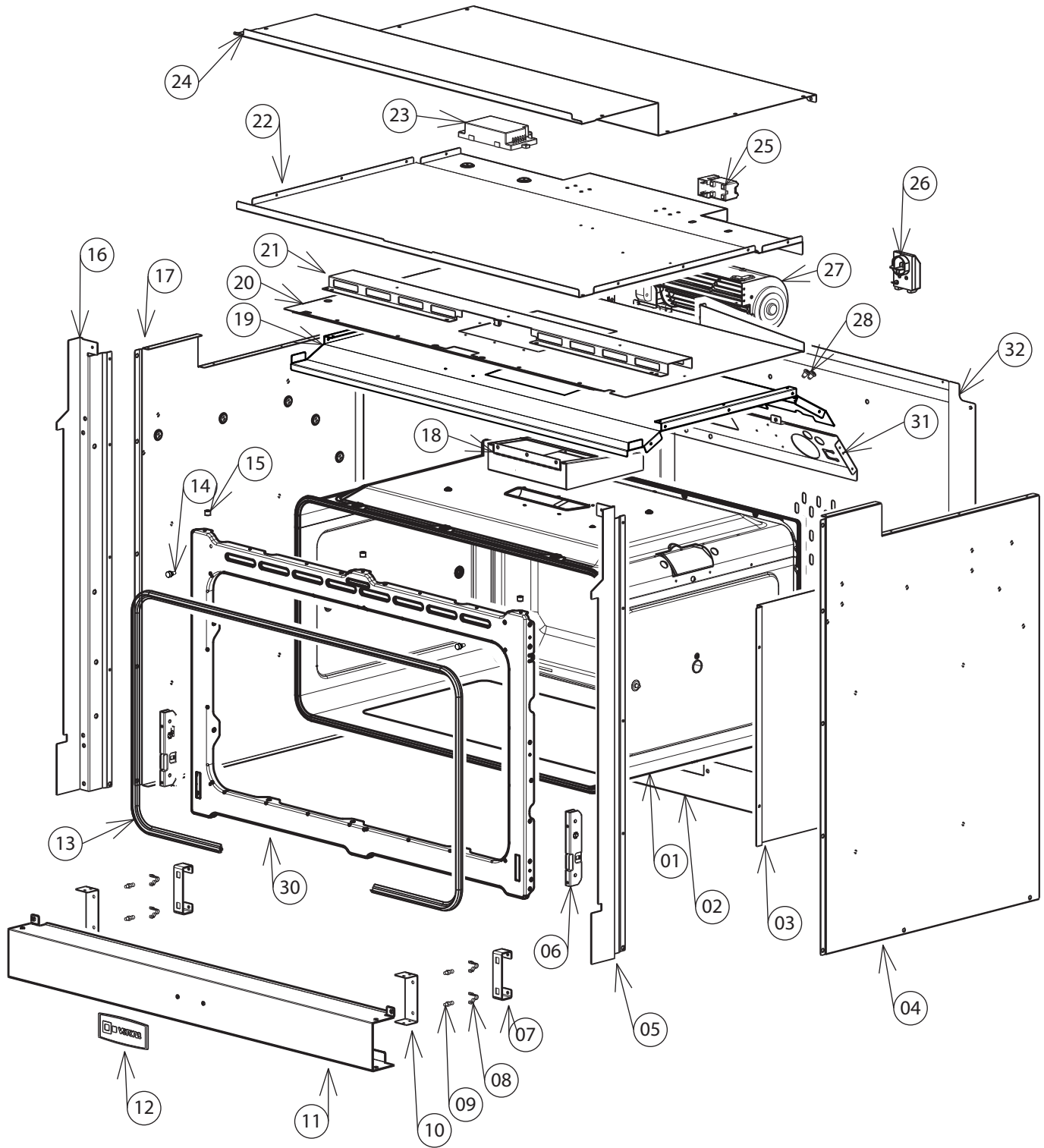
BAKE & BROIL COMPONENTS



BAKE & BROIL COMPONENTS

REF.	PART NUMBER	PART DESCRIPTION
01	066230	THERMOSTAT
02	1031981	CAM
03	1031979	SUPPORT & SWITCHES
04	1031980	CAM
05	003040	WASHER
06	094985	THERMOSTAT BRACKET
07	001054	SCREW M4X25 TC CROSS
08	094155	BRACKET
09	342F3A01	MANIFOLD
10	094984	MANIFOLD SUPPORT
11	0291409	GRILL INLET PIPE
12	0291408	OVEN INLET PIPE
13	215536	BURNER GRILL
14	107121	THERMOCOUPLE
15	084043	SPARK PLUG
16	094988	SUPPORT BRACKET
17	101228	INJECTOR \varnothing 155
18	067035	ELBOW
19	213015	CLIP
20	47EF901G	OVEN FLOOR
21	215535	BURNER OVEN
22	084041	SPARK PLUG
23	094987	SUPPORT BRACKET
24	067035	ELBOW
25	101207	INJECTOR \varnothing 180
26	411F3A04Z	LOWER PANEL
27	421F913Z	LOWER PROTECTION SHEET
28	053045	GASKET
29	067034	CONICAL CONNECTOR
30	103842	PRESSURE REGULATOR

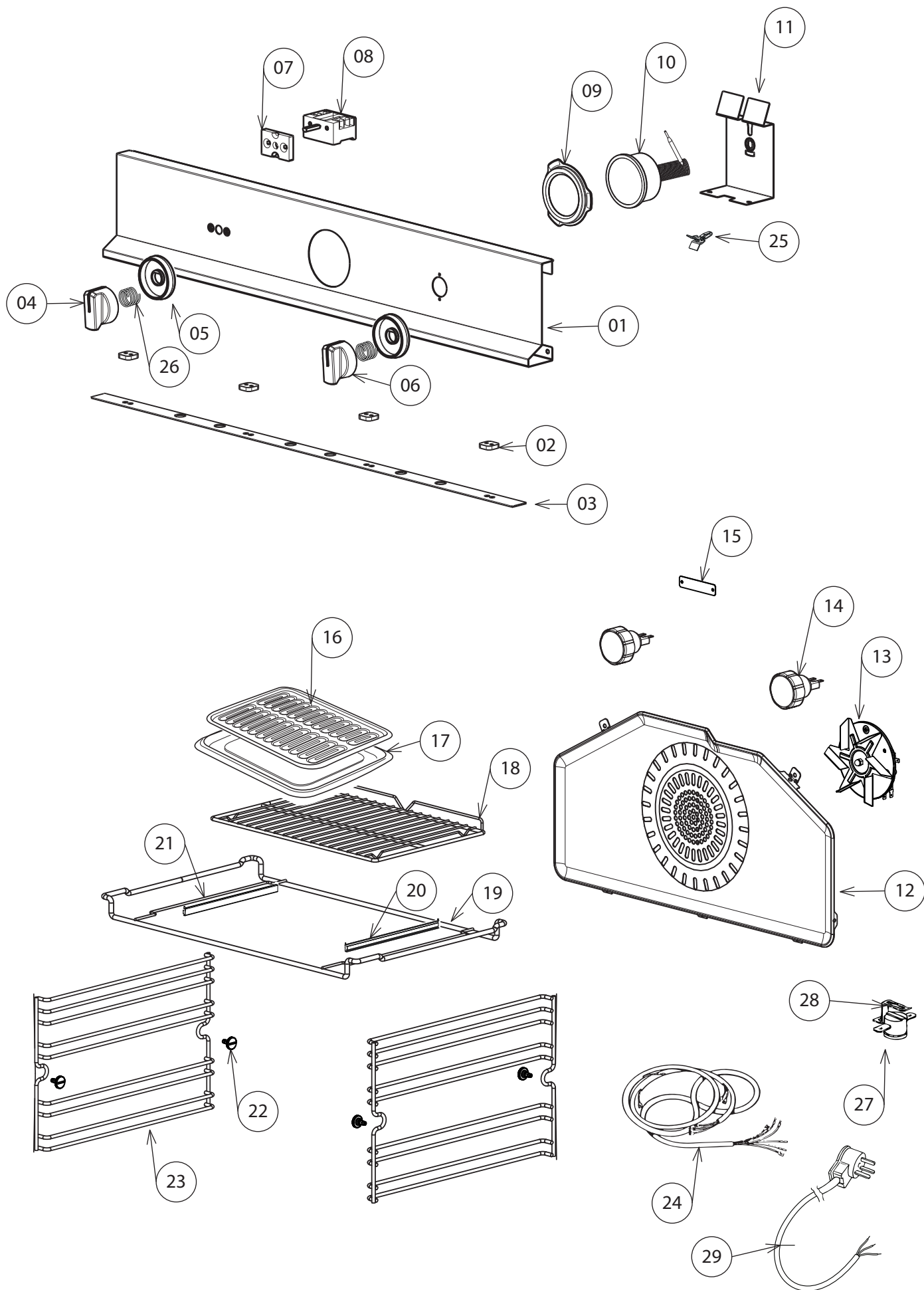
STRUCTURE




STRUCTURE

REF.	PART NUMBER	PART DESCRIPTION
01	450F3AGG41	OVEN CUBE
02	51BF3A04Z	SUPPORT BAR
03	421F3A02Z	SIDE PANEL PROTECTION
04	411F3A02Z	SIDE PANEL RH
05	51BF3A03S	RIGHT FRONT TRIM
06	063130	FEMALE HINGE
07	094990	LOWER PANNEL SUPPORT
08	035100	SPRING
09	103615	PIN
10	094989	LOWER PANNEL SUPPORT
11	380F3A01L	LOWER PANNEL
12	081102	BADGE
13	053162	SEAL
14	040076	RUBBER
15	085056	SPACER
16	51BF3A02S	LEFT FRONT TRIM
17	411F3A01Z	SIDE PANEL LH
18	46EF901	STACK BOX
19	421F3A01Z	LOWER PANEL
20	421F3A04Z	PANEL VENTING MIDDLE
21	51BF912	SUPPORT BAR
22	421F3A03Z	UPPER PANEL
23	1031391	IGNITION ELECTRONIC CONTROL UNIT
24	411F3A03Z	UPPER PANEL
25	082098	IGNITION COIL
26	051085	TERMINAL BLOCK
27	079060	TANGENTIAL FAN
28	040056	RUBBER
30	45BF3A01G	BODY FRONT PANEL
31	51B3016	FAN TRIM
32	411F3A05Z	REAR PANEL LH
33	030242	REAR INSULATION
34	030302	OVEN INSULATION

CONTROL PANEL & ACCESSORIES



CONTROL PANEL & ACCESSORIES

REF.	PART NUMBER	PART DESCRIPTION
01	35F3A01LVR	CONTROL PANEL
02	1031234	SPACER
03	51BF3A01S	DEFLECTOR
04	2183B7E571	KNOB
05	218000G574	KNOB RING
06	2183L9E570	KNOB
07	103948	SPACER
08	050067	SWITCH
09	1031961E	KNOB RING
10	074143	THERMOMETER
11	094986	THERMOMETER SUPPORT
12	47AF902G	FAN DIFFUSER
13	079042	FAN MOTOR
14	072036	LAMP HOLDER
15	094364	FLANGE
16	48E6104G	BROILER PAN PLATE
17	48B6105G	LECCARDA BROILER PAN GR
18	217690 	WIRE SHELF
19	217691	SLIDING SHELF SUPPORT
20	1031784	RIGHT TELESCOPIC RUNNER
21	1031785	LEFT TELESCOPIC RUNNER
22	001142	SCREW SHELF SUPPORT
23	217688	WIRE RACK
24	1132774	WIRING
25	213037	CLIP
26	035036	SPRING
27	066202	CUT-OFF THERMOSTAT
28	103523	CUT-OFF THERMOSTAT SUPPORT
29	54136	CORD
NI	610F3A01	INJECTOR KIT
includes	053024.1	GASKET
includes	067034	CONICAL CONNECTOR
includes	101143	INJECTOR ø 109
includes	101162	INJECTOR ø 095
includes	103842	PRESSURE REGULATOR