



Product code:

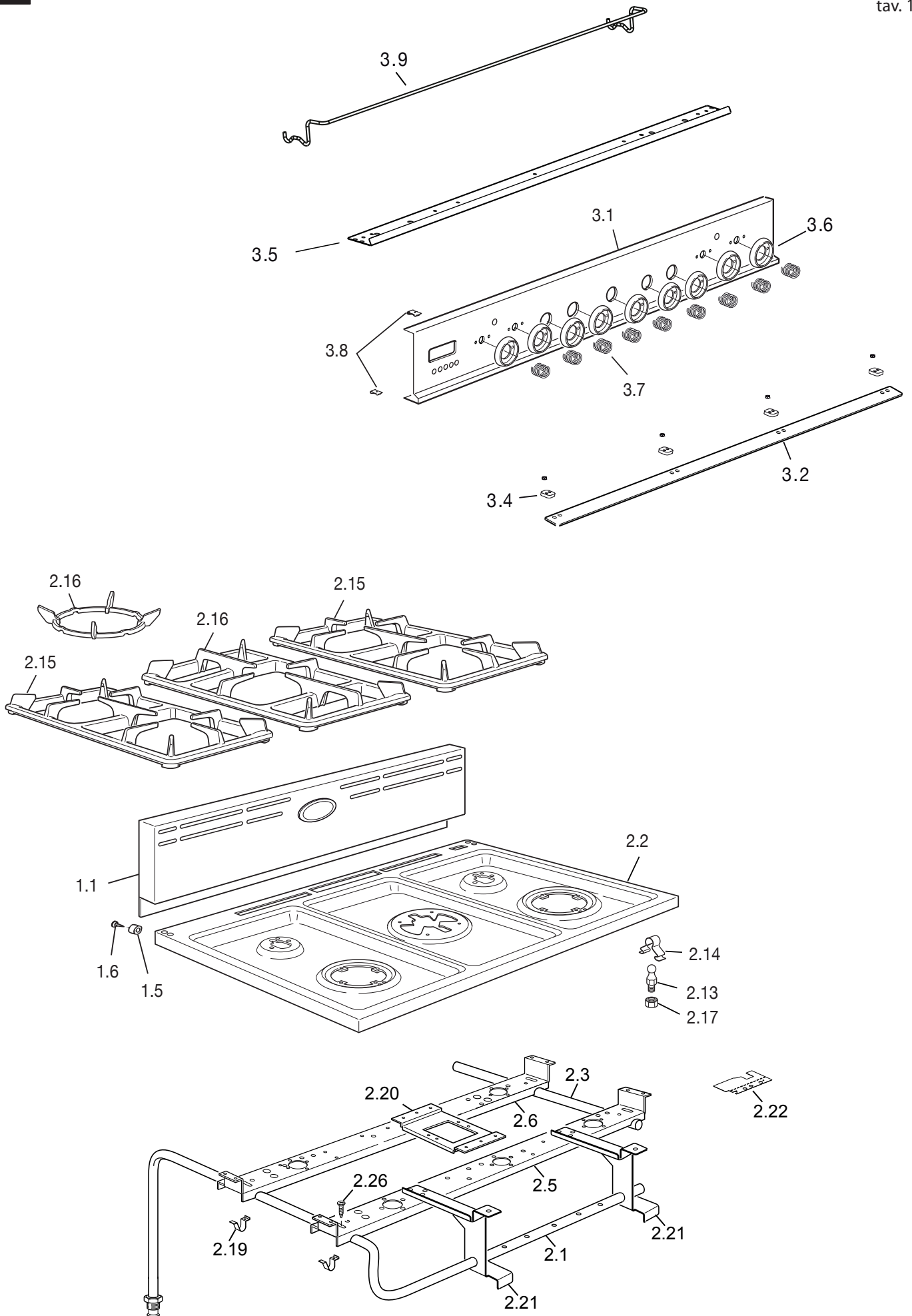
C36TVR035X

Product: **Cooker**

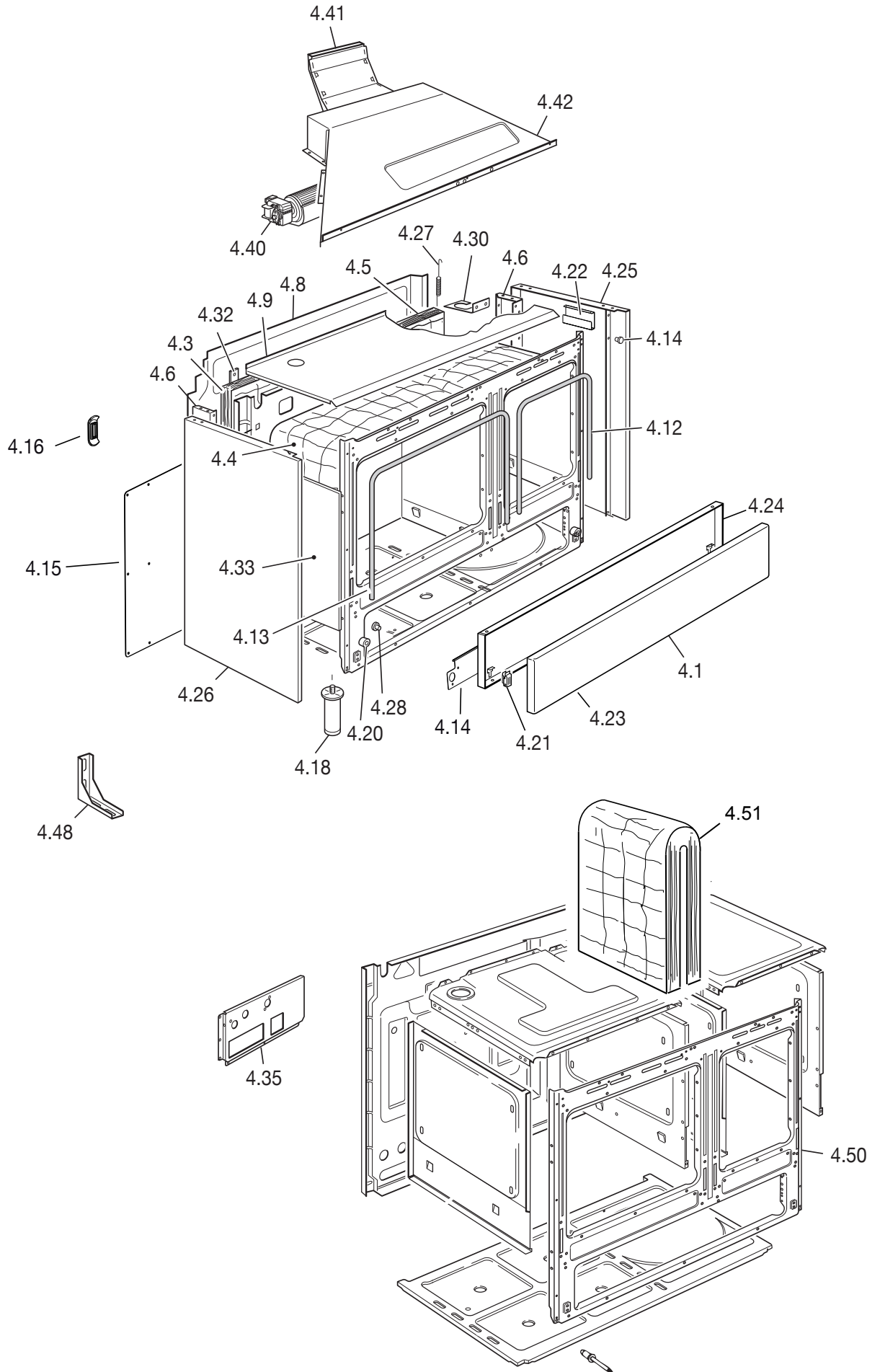
Model: **VPFSGE365DSS**

Product code	Serial No.	Product remark	Issue No.	Issue Date
C36TVR035X				February 2019

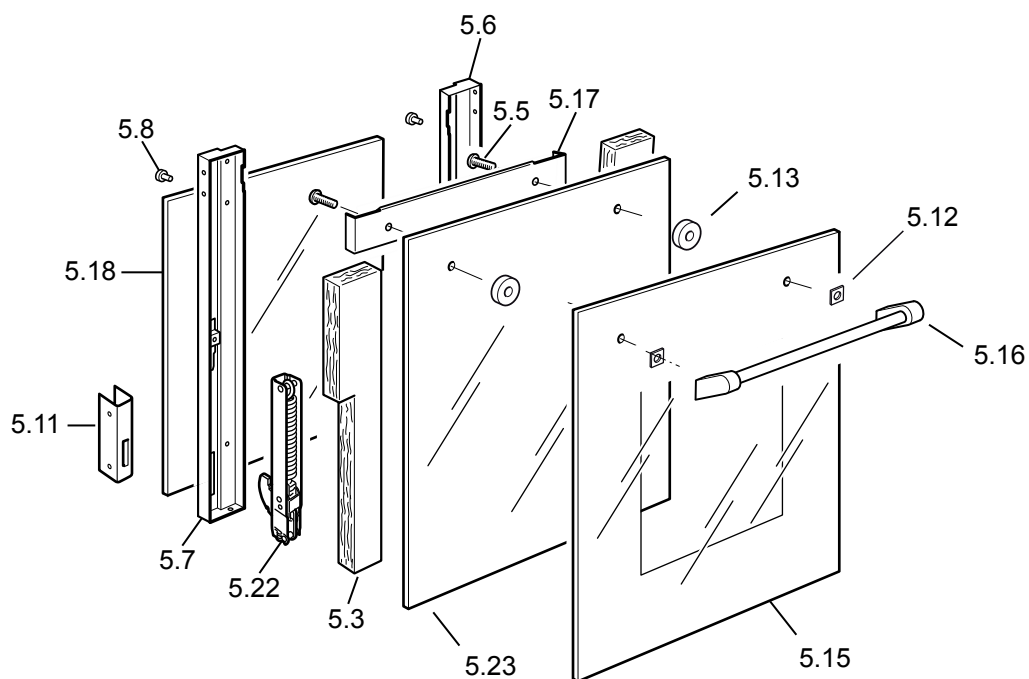
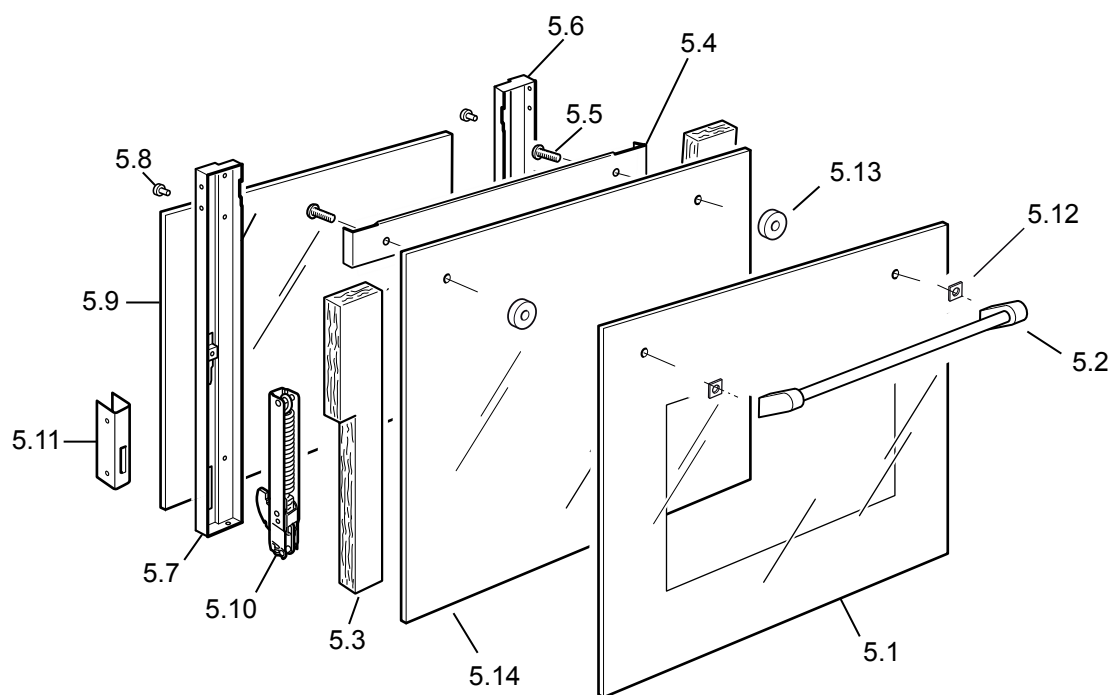
Key part information	
SR	Semirapid burner
TR	Triple ring burner
DUAL	Dual burner



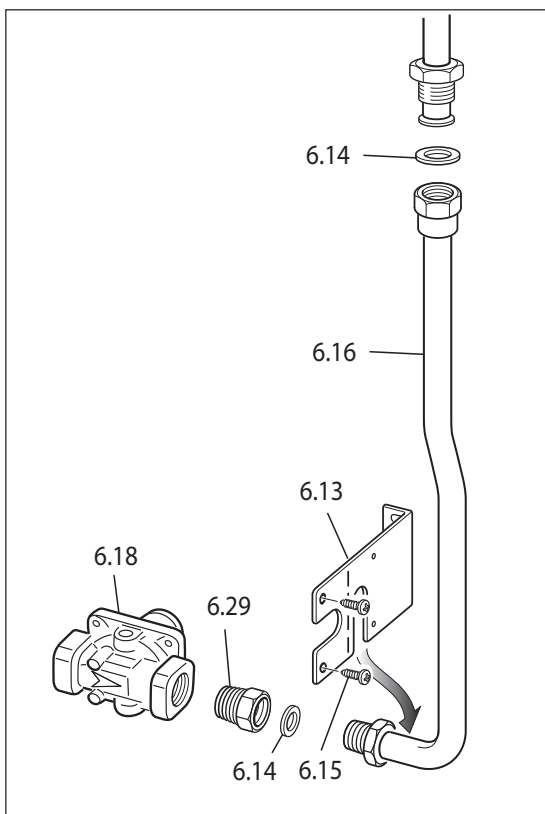
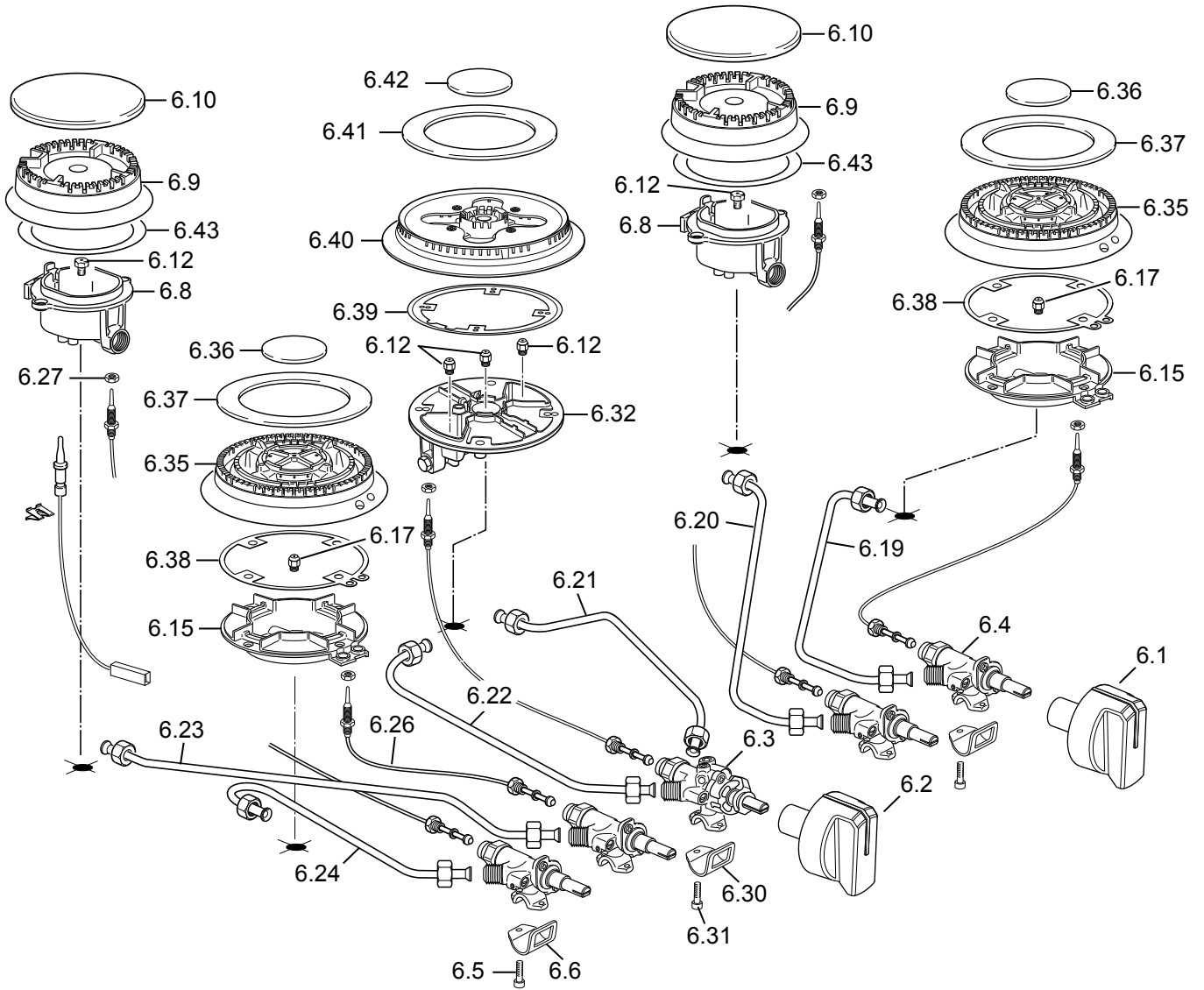
Ref.	Part description	Product code	
		C36TVR035X	
		Feature	Part code
1.1	Rear trim	Seal kit 6303628	1031455061
1.5	Plug		040031002
1.6	Screw		001180
2.1	Manifold		342365005
2.2	Cooktop		33136509S
2.3	Anchorage pipe		3426P40002
2.5	Burners support		51B9S06.1
2.6	Burners support rear		51B9S01
2.13	Pin		103615
2.14	Spring		035100
2.15	Pan-support		217751
2.16	Central pan-support		217752
2.17	Nut		214062
2.18	Wok grid		217808
2.19	Manifold plate		094793
2.20	DUAL burner support		51B9S08
2.21	Manifold bracket		094825
2.22	Switch support bracket		094974
2.23	Stainless steel screw M3x8		001234.1
2.26	Screw		001167
3.1	Control panel		35C3620LD2
3.2	Control panel trim		51B3613S
3.4	Spacer		1031234
3.5	Upper control panel trim		1031102
3.6	Knob ring		218000G574
3.7	Knob spring		035036
3.8	Clips		213007
3.9	Guard rail		1031906



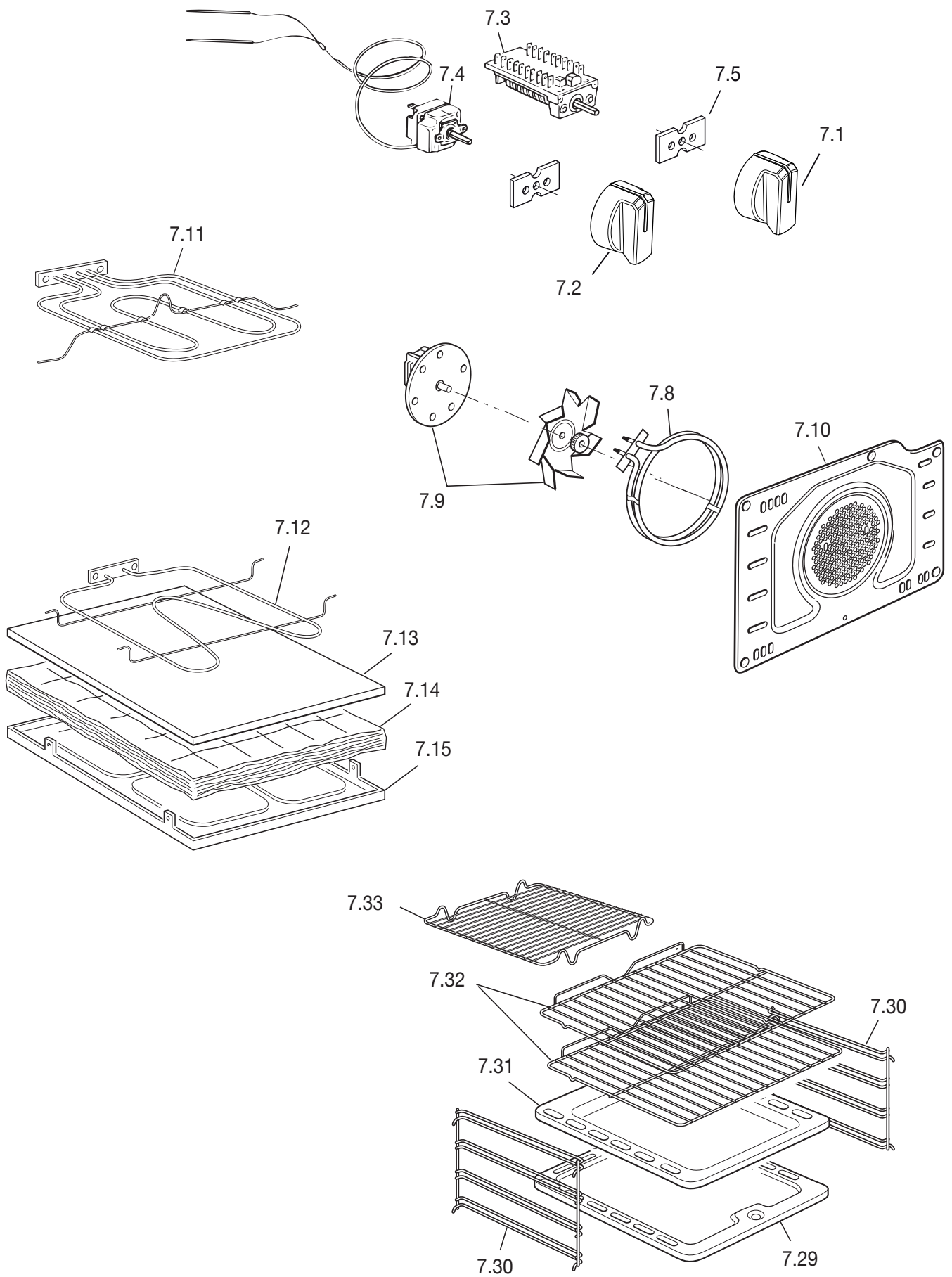
Ref.	Part description	Product code	
		C36TVR035X	
		Feature	Part code
4.1	Badge		081093
4.3	Rear left insulation		030232.1
4.4	Oven left insulation		030267
4.5	Rear right insulation		030234.1
4.6	Rear side strut		51B3601
4.8	Rear panel		4113604
4.9	Upper shelter		4213602Z
4.12	Seal		053197
4.13	Seal		053198
4.14	Heat protection		51B36T01A
4.15	Rear panel closing		4219T07Z
4.16	Rear panel plug		081097
4.18	Shim		6303605
4.19	Side panel plug		071042002
4.20	Buffer		040061
4.21	Hinge		063075
4.22	Insulation support		4219T08Z
4.23	Front panel		371V36T03L
4.24	Inside panel		373V9601A
4.25	Side panel right		36C36D1S
4.26	Side panel left		36C36S1S
4.27	Insulation spring		035101
4.28	Rubber		040012
4.30	Extension pipe support		094559
4.32	Rear insulation support		4219604Z
4.33	Hinge protection		4216108Z
4.35	Right oven support		4213605Z
4.40	Tangential fan		079041
4.41	Air outlet chamber		46A3607Z
4.42	Air intake chamber		46A3602Z.1
4.48	Anti-tip stability device		6303616
4.50	Oven frame		44136TEM02
4.51	Oven insulation		030266



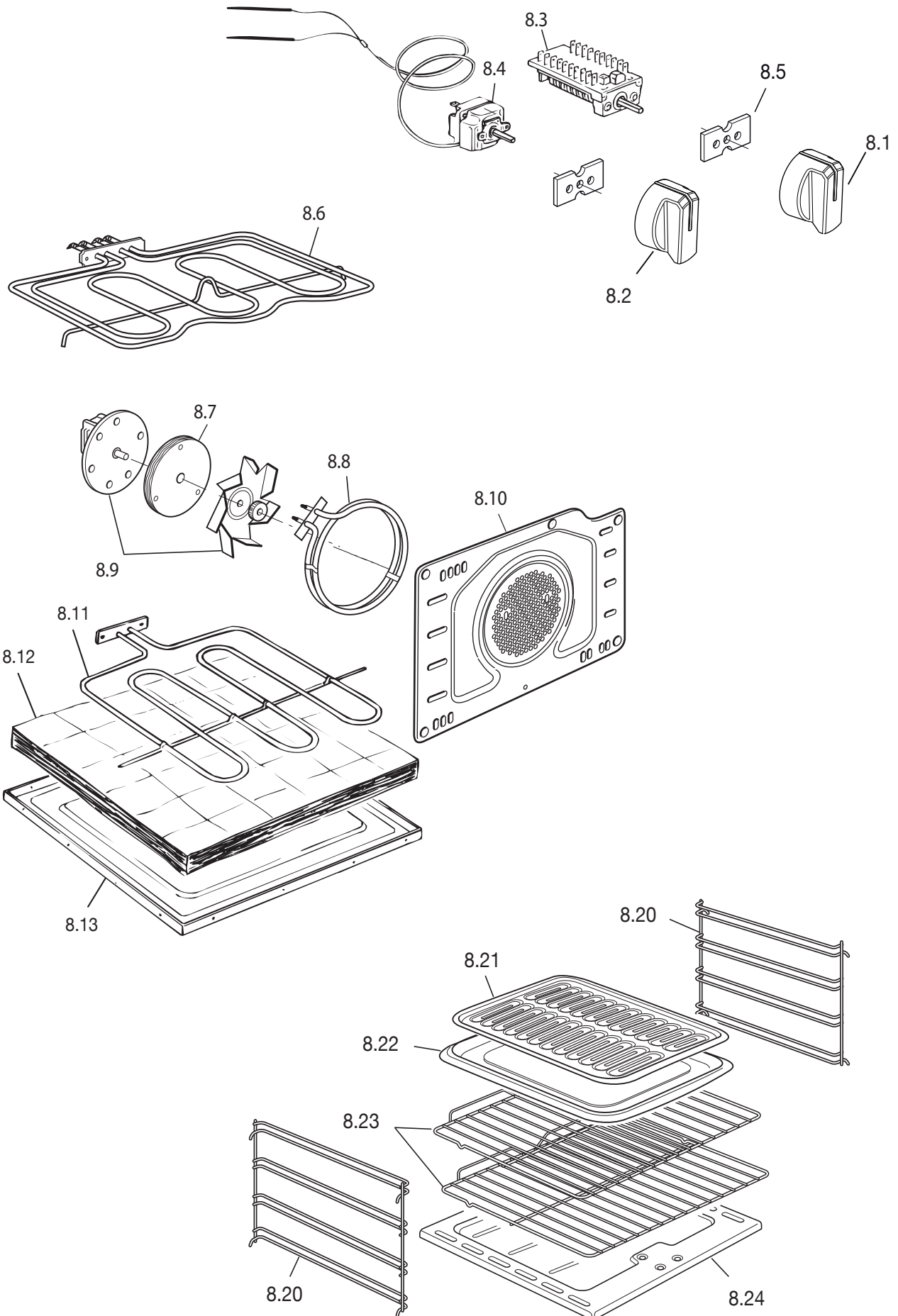
Ref.	Part description	Product code	
		C36TVR035X	
		Feature	Part code
5.1	Door glass		03236T013
5.2	Door handle		037221062
5.3	Insulation door		030187.1
5.4	Fixing bar		51B6509A
5.5	Screw		001273
5.6	Right door trim		51A9T02DA
5.7	Left door trim		51A9T02SA
5.8	Rubber		040051
5.9	Inner glass		0313071TH
5.10	Door hinge (male)		063151 - 063152
5.11	Door hinge (female)		063148
5.12	Washer		103686.1
5.13	Spacer		003070
5.14	Inner middle glass		0312453
5.15	Door glass		03236T511
5.16	Door handle		037222062
5.17	Fixing bar		51B9S07A
5.18	Inner glass		0313072TH
5.22	Door hinge (male)		063152 - 063154
5.23	Inner middle glass		0312455



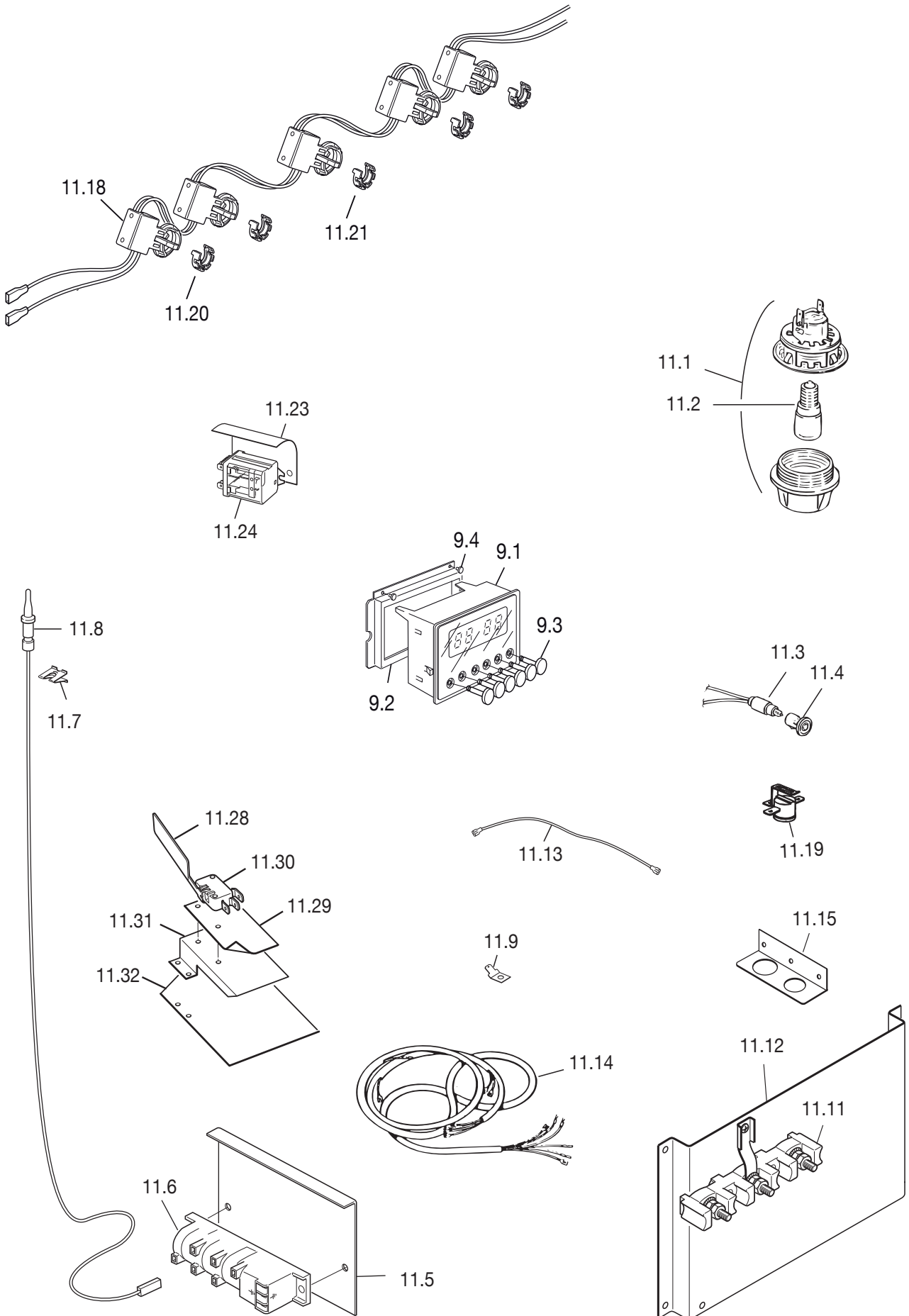
Ref.	Part description	Product code	
		C36TVR035X	
		Feature	Part code
6.1	Burner knob		2183B0E570
6.2	DUAL burner knob		218398E570
6.3	Tap	DUAL - Ø 33/57	106330US
6.4	Tap	SR - Ø 0.33	106271GN
		TR - Ø 0.63	106273GN
6.5	Tap fixing screw		001282
6.6	Tap bracket		094654
6.8	SR burner cup		215497
6.9	SR burner head		068132003
6.10	SR burner cap		216154005A
6.12	Injector	Ø 1.39 - G20 - SR	101357 (2pcs)
		Ø 0.80 - G20 - DU	101370
		Ø 1.39 - G20 - DU	101357 (2pcs)
		Ø 0.85 - G31 - SR	101362 (2pcs)
		Ø 0.50 - G31 - DU	101348
		Ø 0.80 - G31 - DU	101370 (2pcs)
6.13	Extension pipe bracket		094730
6.14	Elbow gasket		053024.1
6.15	Burner cup TR		215500
6.16	Extension pipe		3423601
6.17	Injector TR	Ø 1.70 - G20	101387 (2pcs)
		Ø 1.02 - G31	101388 (2pcs)
6.18	Gas pressure regulator 1/2" NPT		103841
6.19	Inlet pipe - front right	TR	0291313
6.20	Inlet pipe - rear right	SR	0291132
6.21	Inlet pipe - inside central	DUAL	0291310
6.22	Inlet pipe - outside central	DUAL	0291311
6.23	Inlet pipe - rear left	SR	0291137
6.24	Inlet pipe - front left	TR	0291312
6.25	Extension pipe bracket screw		001112
6.26	Burner thermocouple	TR - L = 350 mm	107088
		AU - SR = 600 mm	107078
		DUAL - L = 600 mm	107079
6.27	AU - SR Thermocouple nut		214079
	DUAL - Thermocouple nut		214080 - 214081
6.29	Connection		067033
6.30	DUAL tap bracket		094036
6.31	Dual tap fixing screw		001251
6.32	DUAL burner-cup		215507
6.35	TR burner head		068135
6.36	Burner-cap inside	TR	216155005A
6.37	Burner-cap outside	TR	216156005A
6.38	Burner-cup gasket		053165
6.39	Burner DUAL cup gasket		053165
6.40	TR-DUAL burner head		068134
6.41	Burner-cap outside DUAL	TR	216155005A
6.42	Burner-cap inside DUAL	TR	216156005A
6.43	Burner SR cup gasket		053166



Ref.	Part description	Product code	
		C36TVR035X	
		Feature	Part code
7.1	Oven knob switch		2183E4E571
7.2	Oven knob thermostat		2183E5E571
7.3	Oven switch		050088
7.4	Oven thermostat		066185
7.5	Spacer		103948.1
7.8	Circular element	230V	062148001
7.9	Fan motor	230V	079042
7.10	Fan diffuser		47A36T03G
7.11	Top + grill element	230V	062152001
7.12	Bottom element	230V	062151001
7.13	Bottom element protection		4213607Z
7.14	Bottom element insulation		030083.1
7.15	Bottom element support		4213608Z
7.29	Oven floor		47E36T03G
7.30	Shelf support		217672
7.31	Oven tray		48B9S001G
7.32	Oven shelf		217674.1
7.33	Grill-pan grid		217537



Ref.	Part description	Product code	
		C36TVR035X	
		Feature	Part code
8.1	Oven knob switch		2183E4E571
8.2	Oven knob thermostat		2183E6E571
8.3	Oven switch		050088
8.4	Oven thermostat		066185
8.5	Spacer		103948.1
8.6	Top + grill element	230V	062153001
8.7	Fan motor insulation		030136.1
8.8	Circular element	230V	062148001
8.9	Fan motor	230V	079042
8.10	Fan diffuser		47A36T01G
8.11	Bottom element	230V	062154001
8.12	Bottom element insulation		030235.1
8.13	Bottom element support		4216102Z
8.20	Shelf support		217672
8.21	Broiler pan		48E6104G
8.22	Broiler pan tray		48B6105G
8.23	Oven shelf		217675.1
8.24	Oven floor		47E6102G



Ref.	Part description	Product code	
		C36TVR035X	
		Feature	Part code
9.1	Electronic programmer		074112
9.2	Electronic programmer bracket		094837
9.3	Button		1031668
9.4	Protection		040056
11.1	Lamp holder		072005
			072011
11.2	Lamp		073114
11.3	Control lamp		073078
11.4	Control lamp cover (Red)		07306202.2
11.5	Burners ignition coil support		094413
11.6	Burners ignition coil (6P)		082084
11.7	Igniter spring	AU - SR	035125
		DU	035126
		TR	035127
11.8	Igniter	A - SR L = 800 mm	084061
		TR - L = 350 mm	084063
		TR - L = 900 mm	084065
		A - SR L = 350 mm	084062
		DUAL - L = 650 mm	084069
11.9	Earth plate		094221
11.11	Terminal block		051064
11.12	Terminal block bracket		094729
11.13	Cable		103288
11.14	Wiring		1131957
11.15	Conduit bracket		094488
11.18	Ignition switches		1031959
11.19	Cut-off thermostat	130°C	066068
		150°C	066073
		80°C	066145
11.20	Retaining ring		003116
11.21	Retaining ring DUAL		003112
11.23	Insulation		039059
11.24	Relay		103855
11.28	Microswitch blade		094531
11.29	Microswitch insulation		039060
11.30	Air flow microswitch		077079
11.31	Microswitch support		094532
11.32	Microswitch insulation		103927
-	LPG gas conversion kit		610365006
-	Users operating instructions		1105807
-	Installation instructions		1105808