



Product code:

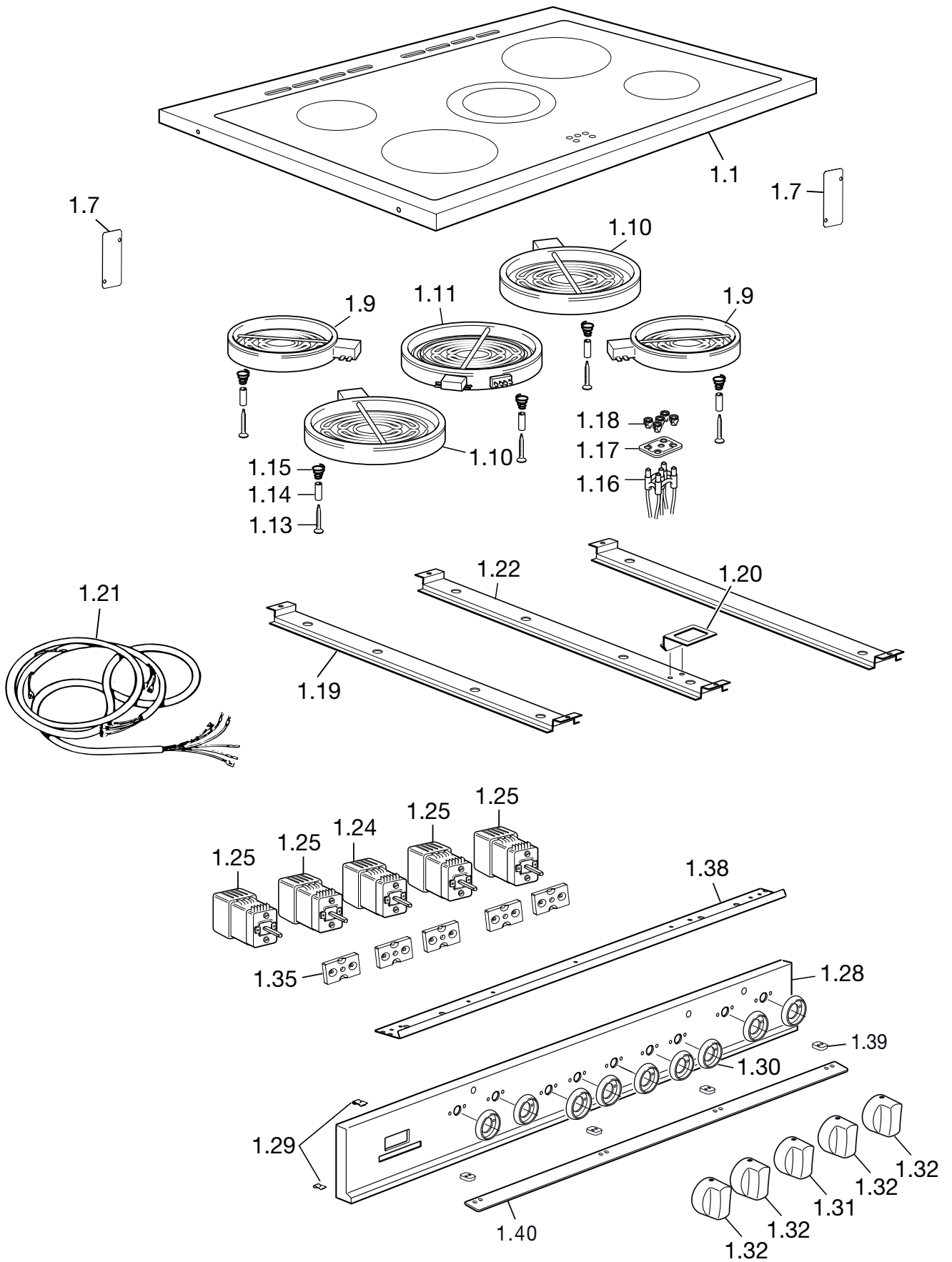
C36TVR041X

Product: **Cooker**

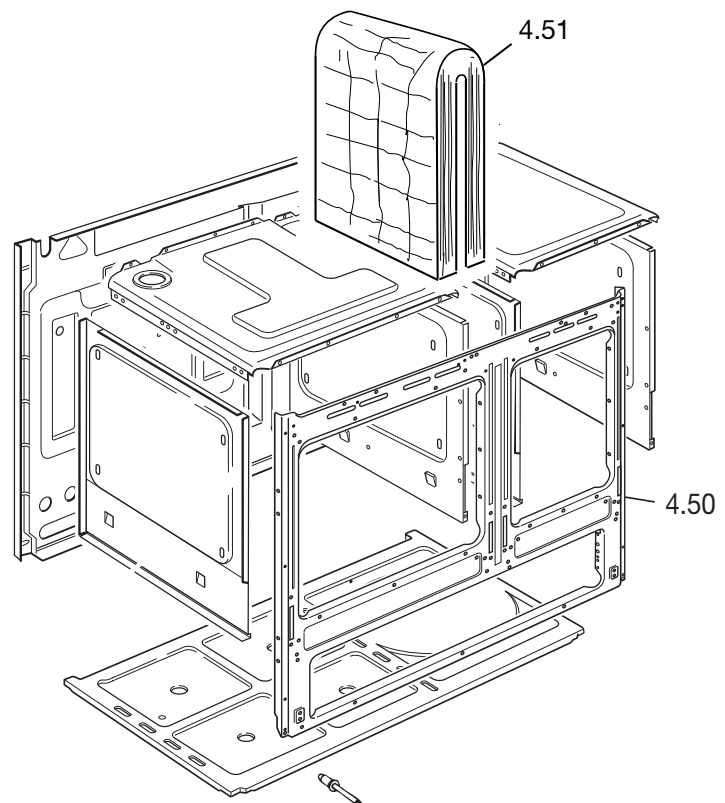
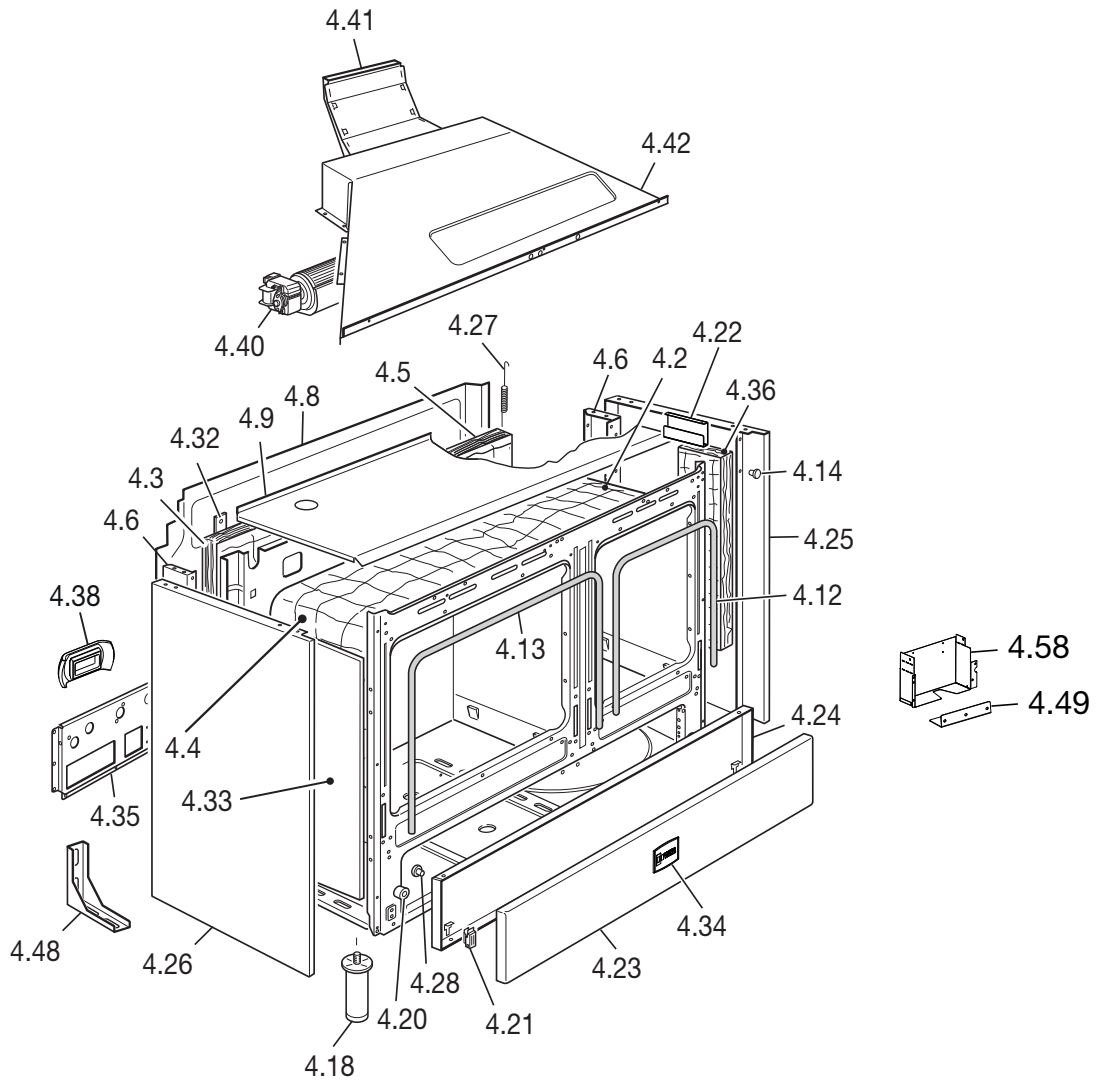
Model: **VPFSEE365DSS**

Product code	Serial No.	Product remark	Issue No.	Issue Date
C36TVR041X				June 2022

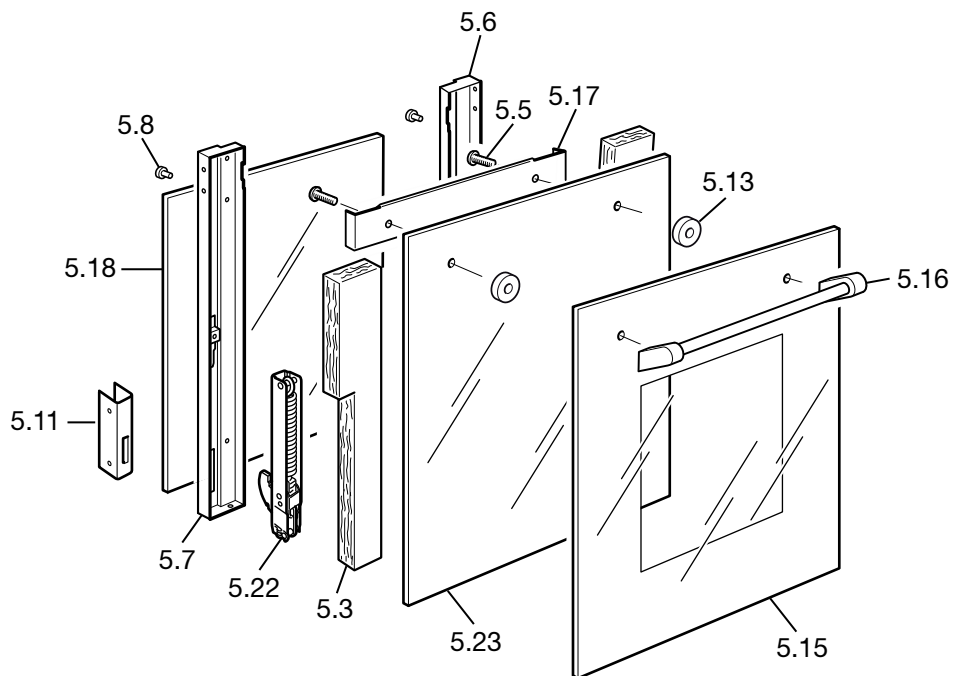
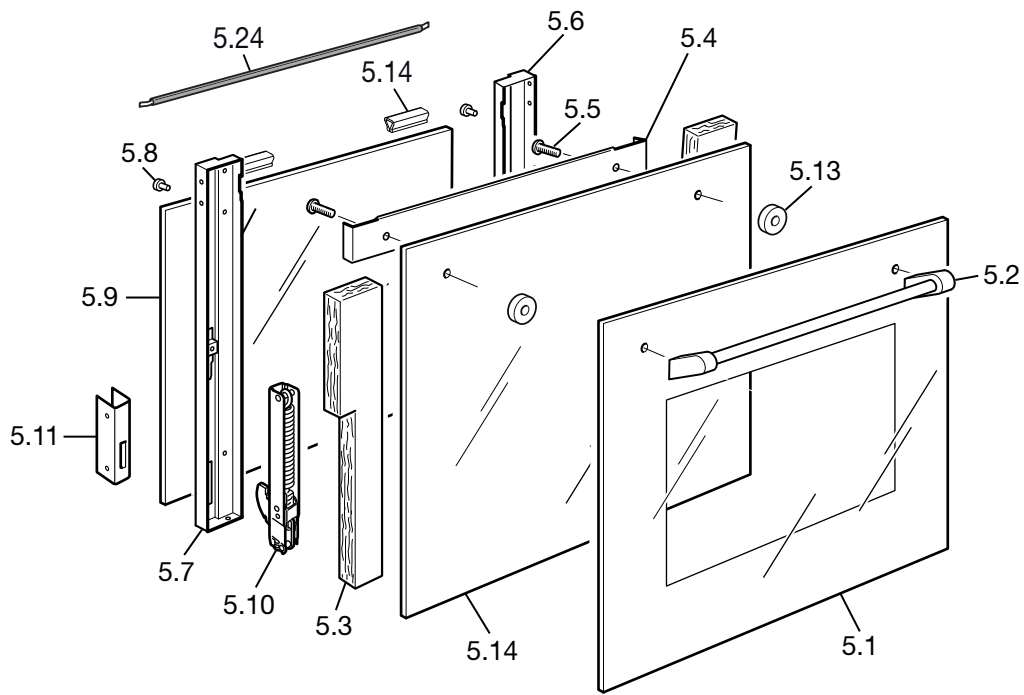
Key part information	



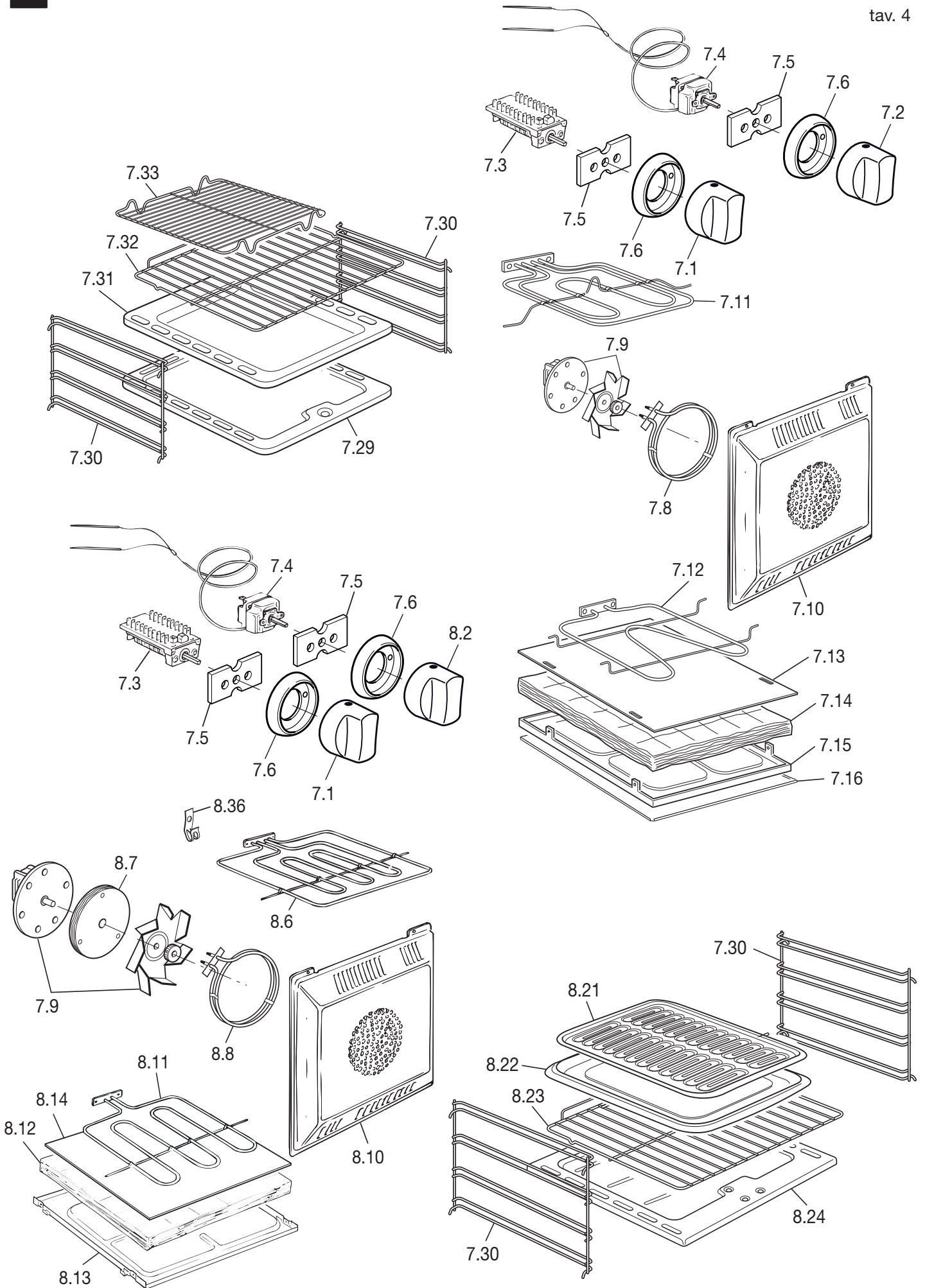
Ref.	Part description	Product code	
		C36TVR041X	
		Feature	Part code
1.1	Hob top		355VC3603
1.7	Rear bracket		094725
1.9	Radiant hotplate	Ø140 1200 W 240 V	04777240
1.10	Radiant hotplate	Ø175 1700 W 240 V	04778240
1.11	Radiant hotplate	Ø230 2100 W 240 V	04779240
1.13	Screw		001111
1.14	Spacer		085043
1.15	Spring		035075
1.16	Control lamp		073078
1.17	Control lamp plate		1031134
1.18	Control lamp support		1031121
1.19	Hotplates support		51B9S02
1.20	Control lamp support		094408
1.21	Hotplate wiring		1132305
1.22	Central hotplates support		51B3607
1.24	Energy regulator 2C	240 V	050128240
1.25	Energy regulator 1C	240 V	050127240
1.28	Control panel		35C3622LVR
1.29	Clip		213007
1.30	Knob ring		103880L
1.31	Energy regulator 2C knob		2183C0E375
1.32	Energy regulator 1C knob		2183B9E375
1.35	Switch spacer		103948
1.38	Upper control panel trim		1031102
1.39	Spacer		1031234
1.40	Control panel deflector		51B3613S



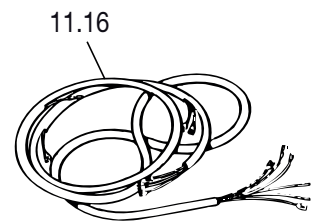
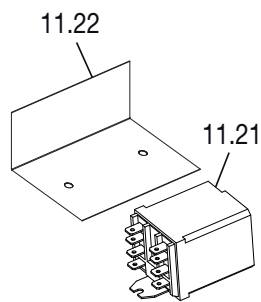
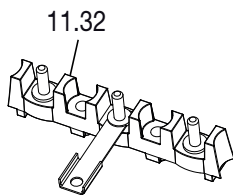
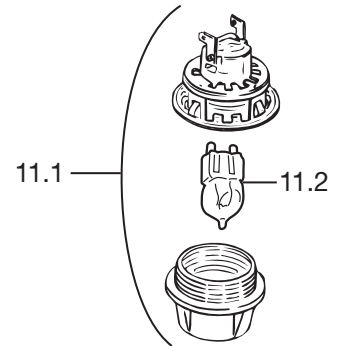
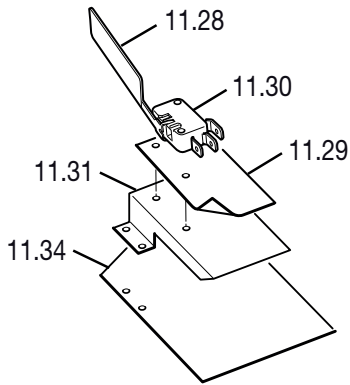
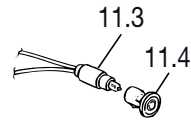
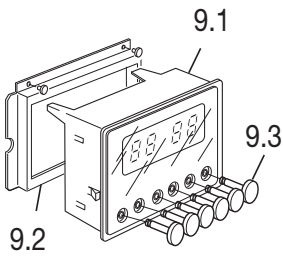
Ref.	Part description	Product code	
		C36TVR041X	
		Feature	Part code
4.3	Rear left insulation		030232.1
4.4	Oven insulation		030267
4.5	Rear right insulation		030234.1
4.6	Side panel extension		51B3601
4.8	Rear panel		4113604
4.9	Upper shelter		4213602Z
4.12	Right oven seal		053197
4.13	Left oven seal		053198
4.14	Grommet		040056
4.18	Shim		103992.1
4.20	Buffer		040061
4.21	Hinge		063075
4.22	Side panel insulation support		4219T08Z
4.23	Front panel		371V36T03L
4.24	Inside panel		373V9601A
4.25	Side panel right		36C36D1S1
4.26	Side panel left		36C36S1S1
4.27	Insulation spring		035101
4.28	Peg		071042002
4.32	Rear insulation support		4219604Z
4.33	Hinge protection		4216108Z
4.34	Badge		081093
4.35	Right oven support		4213605Z
4.36	Side panel right insulation		030291
4.38	Rear panel plug		081097
4.40	Tangential fan	120 V 60 Hz	079041
4.41	Air outlet chamber		46A3607Z
4.42	Air intake chamber		46A3602Z.1
4.48	Anti-tilt bracket		094912
4.49	Power cord bracket		094836
4.50	Oven frame		44136TEM02
4.51	Oven insulation		030266
4.58	Terminal block protection		094729



Ref.	Part description	Product code	
		C36TVR041X	
		Feature	Part code
5.1	Left door glass		03236T013
5.2	Door handle		037221062
5.3	Insulation door		030187.1
5.4	Fixing bar		51B6509A
5.5	Screw		001273
5.6	Right door trim		51A9T02DA
5.7	Left door trim		51A9T02SA
5.8	Rubber		040051
			040056
5.9	Inner glass		0313071TH
5.10	Door hinge (male)		063151
			063152
5.11	Door hinge (female)		063148
5.13	Spacer		003070
5.14	Left door inner middle glass		0312453
5.15	Right door glass		03236T511
5.16	Door handle		037222062
5.17	Fixing bar		51B9S07A
5.18	Inner glass		0313072TH
5.22	Door hinge (male)		063152
			063154
5.23	Inner middle glass		0312455
5.24	Seal		053139



Ref.	Part description	Product code	
		C36TVR041X	
		Feature	Part code
7.1	Oven switch knob		2183E4E375
7.2	Right oven thermostat knob		2183E6E375
7.3	Oven switch		050088
7.4	Oven thermostat		066185
7.5	Spacer		103948.1
7.6	Knob ring		103948.1
7.8	Circular element	240 V	062148001
7.9	Fan motor	120 V 60 Hz	079042
7.10	Fan diffuser		47A36T03G
7.11	Top + grill element	240 V	062152001
7.12	Bottom element	240 V	062151001
7.13	Bottom element protection		4213607Z
7.14	Bottom element insulation		030235.1
7.15	Bottom element support		4213608Z
7.16	Bottom protection plate (Right oven)		4213609Z
7.29	Oven floor		47E36T03G
7.30	Shelf support		217672
7.31	Oven tray		48B9S001G
7.32	Oven shelf		217675.1
7.33	Grill-pan grid		217537
8.2	Oven knob thermostat		2183E6E375
8.6	Top + grill element	240 V	062153001
8.7	Fan motor insulation		030136.1
8.8	Circular element	240 V	062148001
8.10	Fan diffuser		47A36T01G
8.11	Bottom element	240 V	062154001
8.12	Bottom element insulation		030083.1
8.13	Bottom element support		4216102Z
8.14	Bottom element protection		4216N03Z
8.21	Broiler pan		48E6104G
8.22	Broiler pan tray		48B6105G
8.23	Oven shelf		217674.1
8.24	Oven floor		47E6102G



Ref.	Part description	Product code	
		C36TVR041X	
		Feature	Part code
9.1	Electronic programmer	240 V 50-60 Hz	074112
9.2	Electronic programmer housing		094837
9.3	Button		1031668
11.1	Lamp holder		072037
11.2	Lamp	125 V 25 W	073114
11.3	Control lamp		073078
11.4	Control lamp cover	Red	07306202.2
11.16	Wiring		1132937
11.21	Relay		103855
11.22	Relay insulator		039059
11.28	Microswitch blade		094531
11.29	Microswitch insulation		039060
11.30	Microswitch		077079
11.31	Microswitch support		094532
11.32	Terminal block		051064
11.36	Cut-off thermostat	130 °C	066068
		80 °C	066145
		150 °C	066073
		55 °C	066080
-	Users operating instructions	GB	1106423
-	Installation instructions	GB	1106424