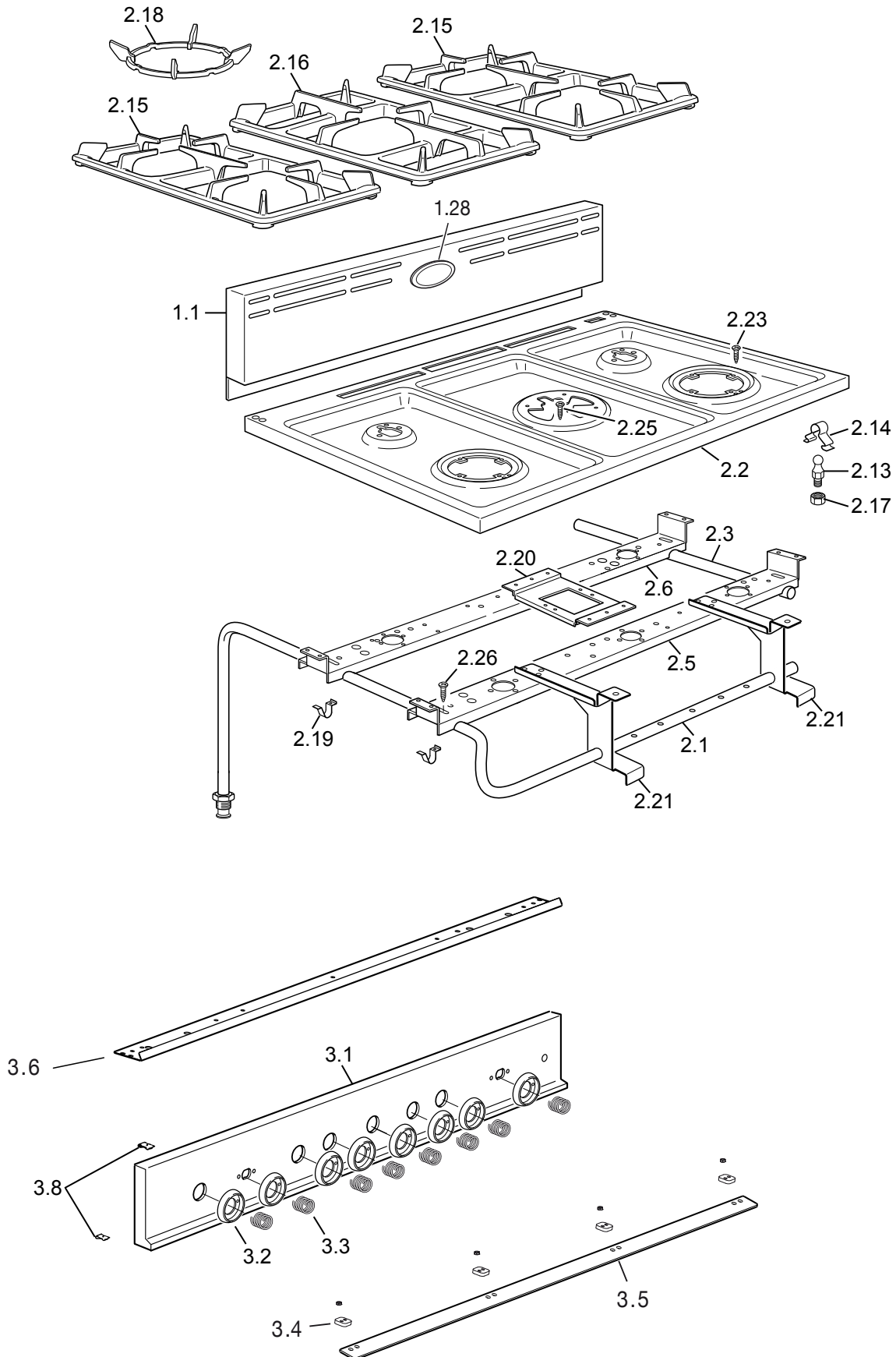


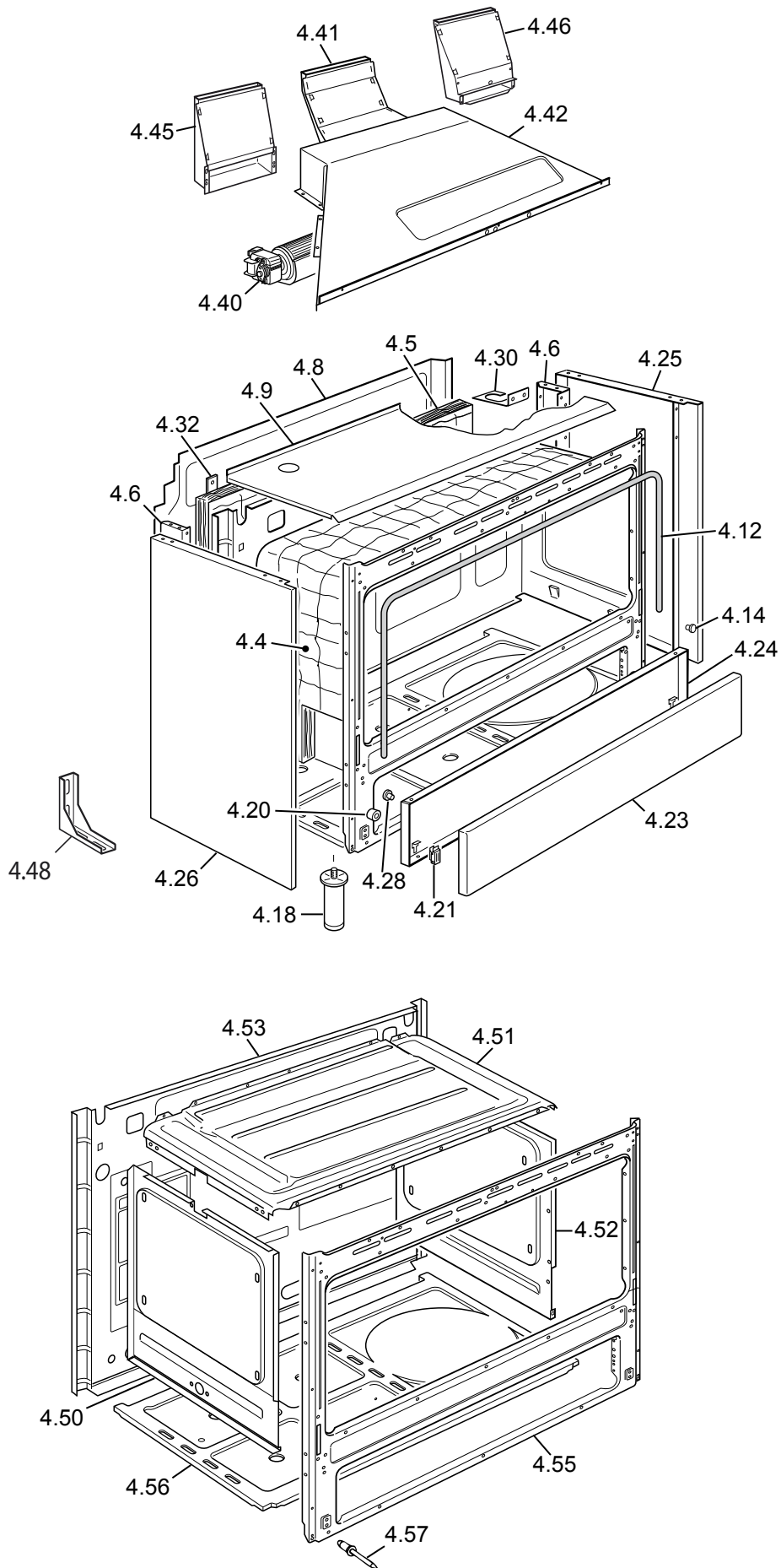
Product: **Cooker**Model: **VPFSGG365SS**

Product code	Serial N°	Product remark	Issue N°	Issue date
C360VR038X				January 2019

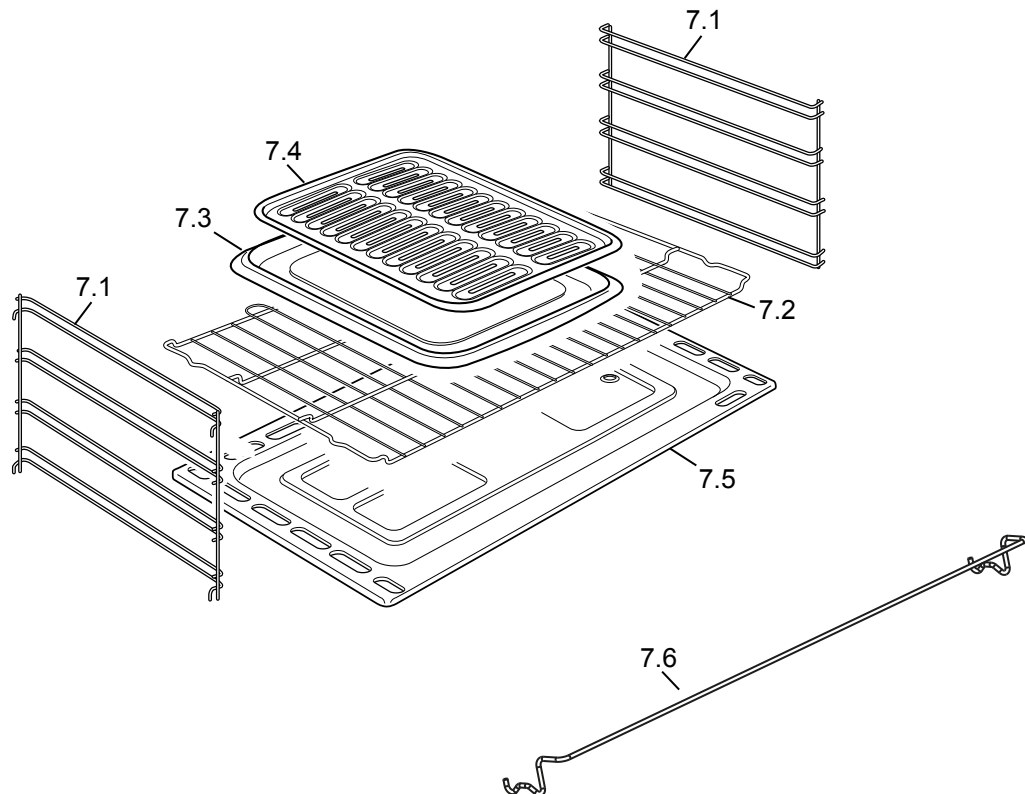
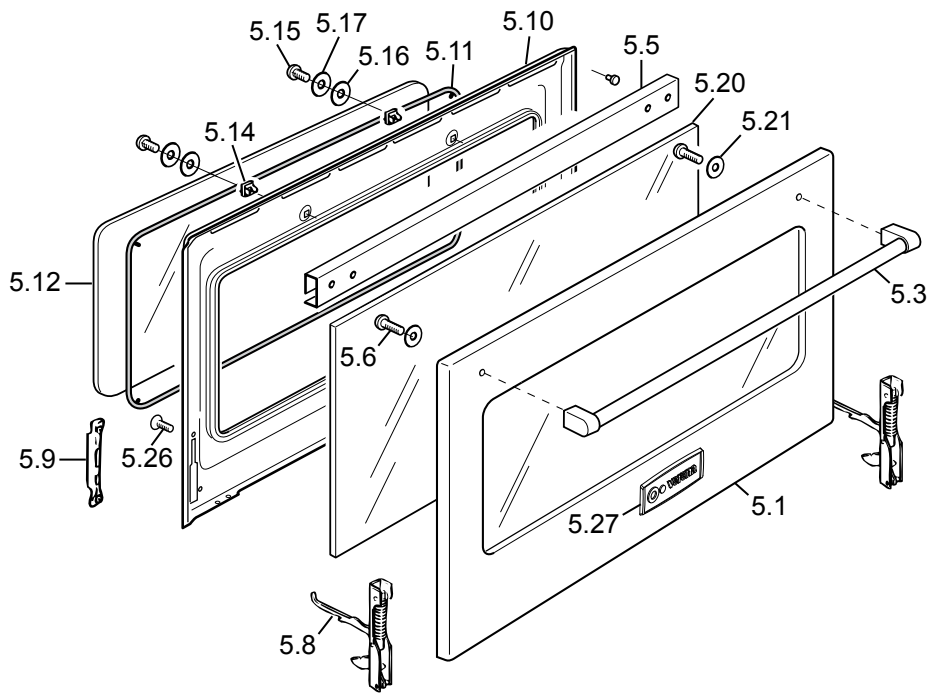
Key part information	
SR	Semirapid burner
TR	Triple ring burner
Dual	Dual burner



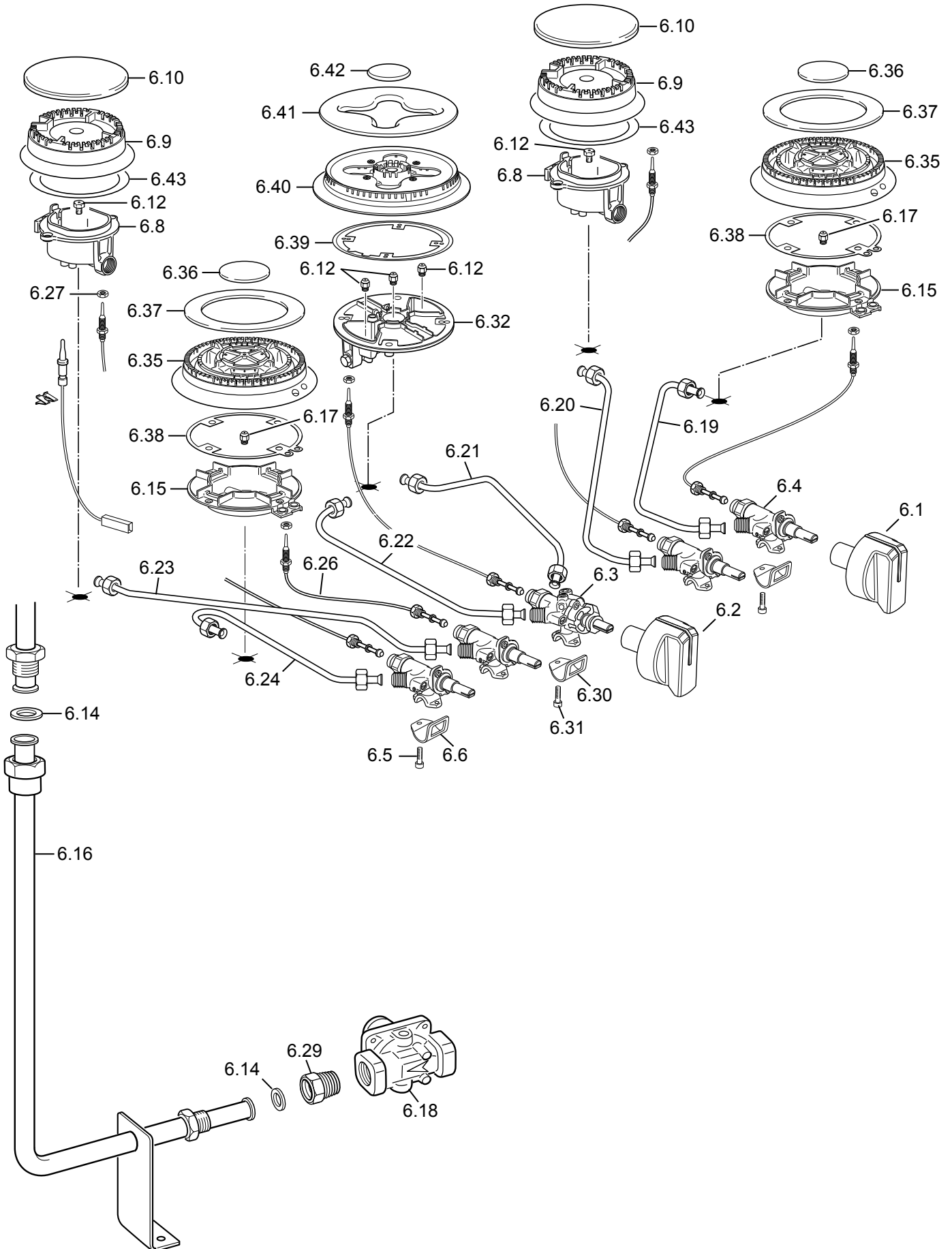
Ref.	Part description	Product code	
		C360VR038X	
		Feature	Part code
1.1	Rear trim		1031444061
1.28	Badge		081093
2.1	Manifold		342365004
2.2	Cooktop		33136508S
2.3	Anchorage pipe		3426P40002
2.5	Burners support front		51B9S06.1
2.6	Burners support rear		51B9S01
2.13	Pin		103615
2.14	Spring		035100
2.15	Pan support		217751
2.16	Central-pan support		217752
2.17	Nut		214062
2.18	Wok grid		217808
2.19	Manifold plate		094793
2.20	Dual burner support		51B9S08
2.21	Manifold bracket		094825
2.23	Stainless steel screw	M3x8	001234.1
2.25	Screw Dual		001252
2.26	Screw		001167
3.1	Control panel		35C3617LD2
3.2	Knob ring		218000G574
3.3	Knob spring		035036
3.4	Spacer		1031234
3.5	Control panel trim		51B3608
3.6	Upper control panel trim		1031102
3.8	Clips		213007



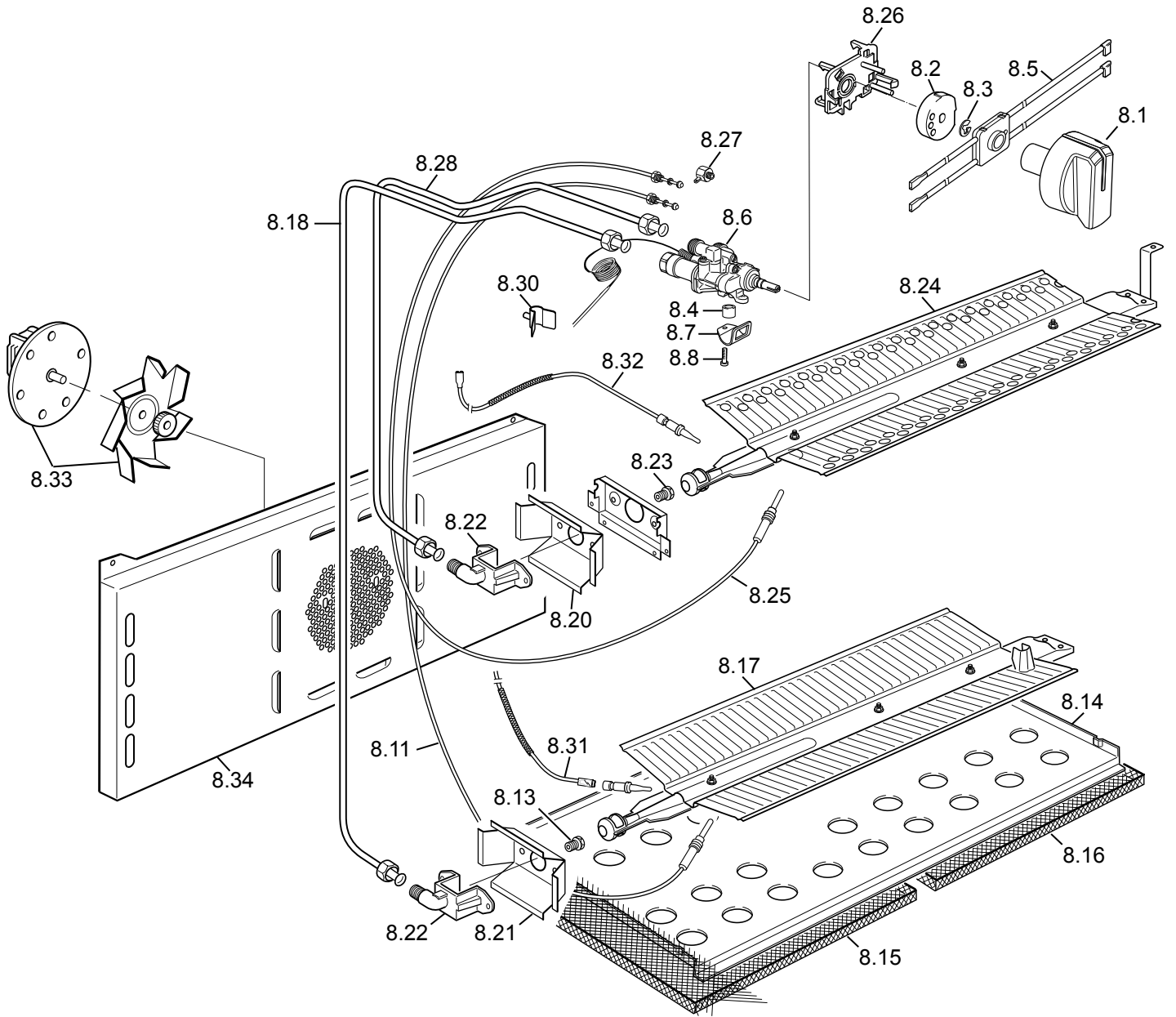
Ref.	Part description	Product code	
		C360VR038X	
		Feature	Part code
4.4	Oven insulation		030267
4.5	Rear insulation		030180.1
4.6	Rear side strut		51B3602
4.8	Rear panel		4113602
4.9	Upper shelter		4213602Z
4.12	Seal		053057
4.14	Side panel plug		071042002
4.18	Shim		6303603
4.20	Buffer		040061
4.21	Hinge		063075
4.23	Front panel		371V3602L
4.24	Inside panel		373V9601A
4.25	Side panel right		36C36D2S.1
4.26	Side panel left		36C36S2S.1
4.28	Rubber		040012
4.30	Extension pipe support		094559
4.32	Rear insulation support		4219604Z
4.40	Tangential fan		079041
4.41	Air outlet chamber		46A3607Z
4.42	Air intake chamber		46A3602Z.1
4.45	Left funnel		46A6N07Z
4.46	Right funnel		46A3606Z
4.48	Anti-tip stability device		630144
4.50	Oven side panel (Left)		45E3602G
4.51	Top oven panel		45E3601G
4.52	Oven side panel (Right)		45EN6107G
4.53	Body rear panel		45H3601G
4.55	Body front panel		45B3602G
4.56	Lower element cover		45K96004Z
4.57	Rivet		211012
-	Oven frame		441361GG42



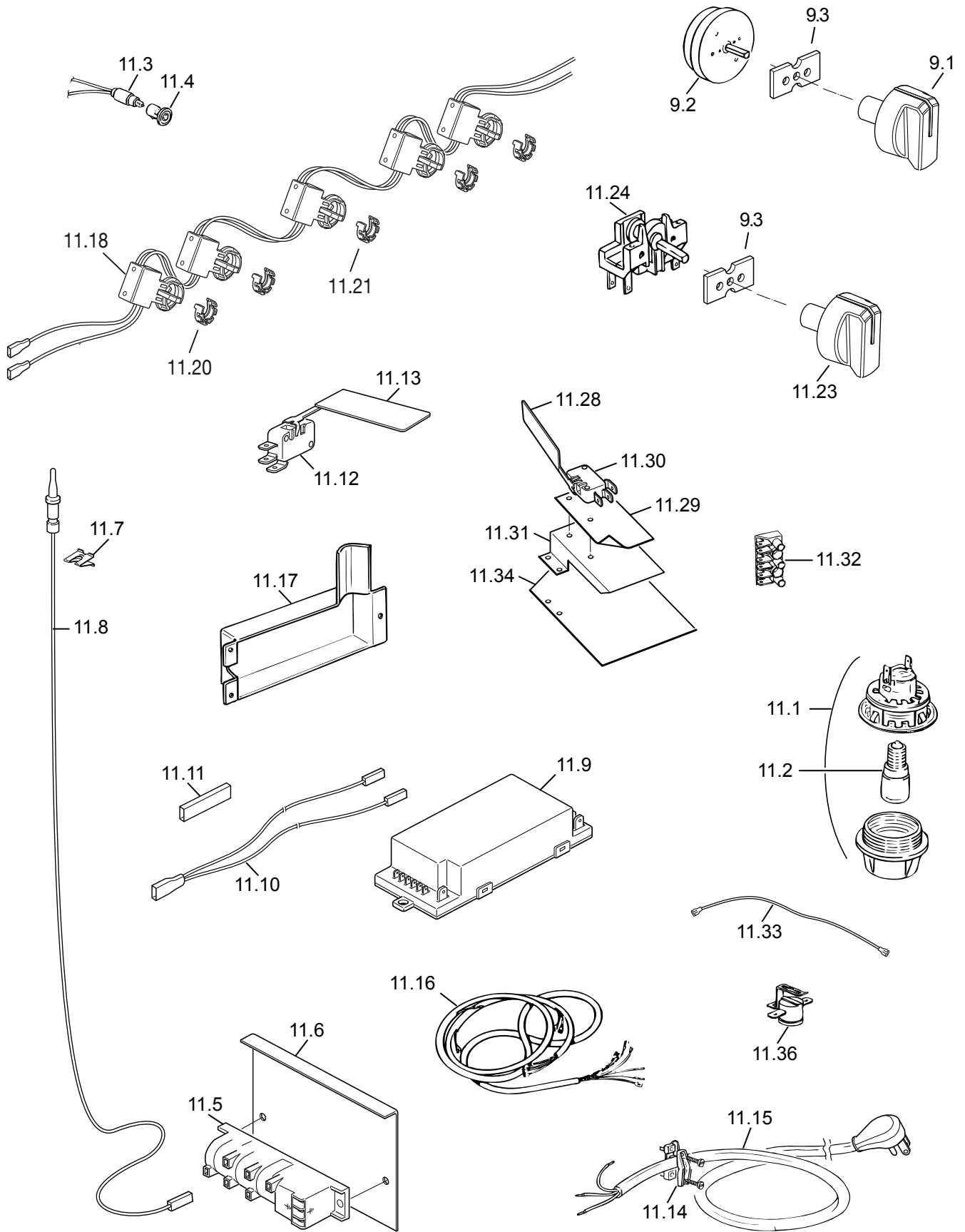
Ref.	Part description	Product code	
		C360VR038X	
		Feature	Part code
5.1	Door glass		03236014
5.3	Door handle		037220062
5.5	Fixing bar		51B9605
5.6	Screw		001033
5.8	Door hinge (male)		063151
5.9	Door hinge (female)		063148
5.10	Door panel		373F9606G
5.11	Gasket		053058
5.12	Inner glass		0311292/TH
5.14	Nut		214021
5.15	Screw		001326
5.16	Washer		003035
5.17	Washer		103205.1
5.20	Third glass		0312477
5.26	Screw		001327
5.27	Badge		081093
7.1	Shelf support		217672
7.2	Oven shelf		217673
7.3	Broiler pan tray		48B6105G
7.4	Broiler pan		48E6104G
7.5	Oven floor		47E3601G
7.6	Guard rail		1031906



Ref.	Part description	Product code	
		C360VR038X	
		Feature	Part code
6.1	Burner knob		2183B0E570
6.2	DUAL burner knob		218398E570
6.3	Tap	DUAL - Ø 33/57	106330US
6.4	Tap	SR - Ø 0.33	106271GN
		TR - Ø 0.63	106273GN
6.5	Tap fixing screw		001282
6.6	Tap bracket		094654
6.8	SR burner cup		215497
6.9	SR burner head		068132003
6.10	SR burner cap		216154005A
6.12	Injector	Ø 1.39 - G20 - SR	101357 (2pcs)
		Ø 0.80 - G20 - DU	101370
		Ø 1.39 - G20 - DU	101357 (2pcs)
		Ø 0.85 - G31 - SR	101362 (2pcs)
		Ø 0.50 - G31 - DU	101348
		Ø 0.80 - G31 - DU	101370 (2pcs)
6.14	Elbow gasket		053024.1
6.15	Burner cup TR		215500
6.16	Extension pipe		3423601
6.17	Injector TR	Ø 1.70 - G20	101387 (2pcs)
		Ø 1.02 - G31	101388 (2pcs)
6.18	Gas pressure regulator 1/2" NPT		103841
6.19	Inlet pipe - front right	TR	0291313
6.20	Inlet pipe - rear right	SR	0291132
6.21	Inlet pipe - inside central	DUAL	0291310
6.22	Inlet pipe - outside central	DUAL	0291311
6.23	Inlet pipe - rear left	SR	0291137
6.24	Inlet pipe - front left	TR	0291312
6.26	Burner thermocouple	TR - L = 350 mm	107088
		AU - SR = 600 mm	107078
		DUAL - L = 600 mm	107079
6.27	AU - SR Thermocouple nut		214079
	DUAL - Thermocouple nut		214080 - 214081
6.29	Connection		067033
6.30	DUAL tap bracket		094036
6.31	Dual tap fixing screw		001251
6.32	DUAL burner-cup		215507
6.35	TR burner head		068135
6.36	Burner-cap inside	TR	216155005A
6.37	Burner-cap outside	TR	216156005A
6.38	Burner-cup gasket		053165
6.39	Burner DUAL cup gasket		053165
6.40	TR-DUAL burner head		068134
6.41	Burner-cap outside DUAL		216135005A
6.42	Burner-cap inside DUAL		216136005A
6.43	Burner SR cup gasket		053166



Ref.	Part description	Product code	
		C360VR038X	
		Feature	Part code
8.1	Oven thermostat knob		2183G0E570
8.2	Cam		103918
8.3	Retaining ring		003040
8.4	Gasket		053045
8.5	Thermostat ignition switch		1031435
8.6	Oven burner thermostat		066199
8.7	Bracket		094155
8.8	Screw		001248
8.11	Thermocouple	L = 1400 mm	107058
8.13	Oven burner injector	Ø 2.47 - G20	101087
		Ø 1.35 - G31	101074
8.14	Oven burner support		4219603Z
8.15	Oven burner left protection		4216N02Z.1
8.16	Oven burner right protection		4213604Z
8.17	Oven burner		215482
8.18	Oven inlet pipe		029832
8.20	Broil elbow support		094561
8.21	Elbow protection		094562
8.22	Broil elbow		067035
8.23	Broil burner injector	Ø 2.00 - G20	101213
		Ø 1.15 - G31	101129
8.24	Broil burner		215483
8.25	Thermocouple	L = 1000 mm	107056
8.26	Switch support		103888
8.27	Ignition electronic control unit adapter		214078
8.28	Broil inlet pipe		029833
8.30	Clip		213026
8.31	Oven burner igniter		084040
8.32	Broil ignition		084041
8.33	Fan motor		079042
8.34	Fan diffuser		47A9601G.2



Ref.	Part description	Product code	
		C360VR038X	
		Feature	Part code
9.1	Alarm knob		218373E571
9.2	60' alarm		074009
9.3	Knob spacer		103948
11.1	Lamp holder		072011
11.2	Lamp		073114
11.3	Control lamp		073077
11.4	Control lamp cover		07306202.2
11.5	Burners ignition coil		082066
11.6	Burners ignition coil support		094413
11.7	Igniter spring	AU - SR	035125
		DU	035126
		TR	035127
11.8	Igniter	SR = 800 mm	084061
		SR = 350 mm	084062
		TR - L = 350 mm	084063
		TR - L = 900 mm	084065
		DUAL - L = 650 mm	084069
11.9	Ignition electronic control unit (T-ZERO)		1031391
11.10	Control unit cord		1031636
			1031637
11.11	Cable terminal		056034
11.12	Microswitch		077081
11.13	Microswitch blade		094556
11.14	Wire fastener		052008
11.15	Cord	AWG 18/3	054136
11.16	Wiring		1131937
11.17	Terminal block protection		103230.1
11.18	Ignition switches		1031959
11.20	Retaining ring		003116
11.21	Retaining ring DUAL		003112
11.23	Switch knob		2183B7E571
11.24	Oven light and fan switch		050067
11.28	Microswitch blade		094531
11.29	Microswitch insulation		039060
11.30	Air flow microswitch		077079
11.31	Microswitch support		094532
11.32	Terminal block		051062
11.33	Cable		103288
11.34	Microswitch insulation		103927
11.36	Cut-off thermostat	80°	066145
-	Gas conversion kit		610365005
-	User operating instructions		1105783
-	Installation instructions		1105782