



## User Instruction

# Top Mounted Freezer Refrigerator

VEFTF3021RBK VEFTF3324RBK  
VEFTF3021RWH VEFTF3324RWH  
VEFTF3021RSL VEFTF3324RSL



VEFTF3021RBK



VEFTF3021RWH



VEFTF3021RSL



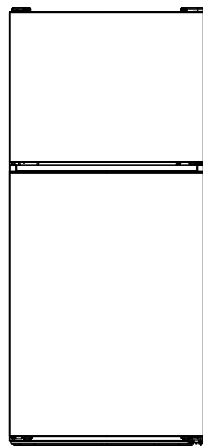
VEFTF3324RBK



VEFTF3324RWH



VEFTF3324RSL



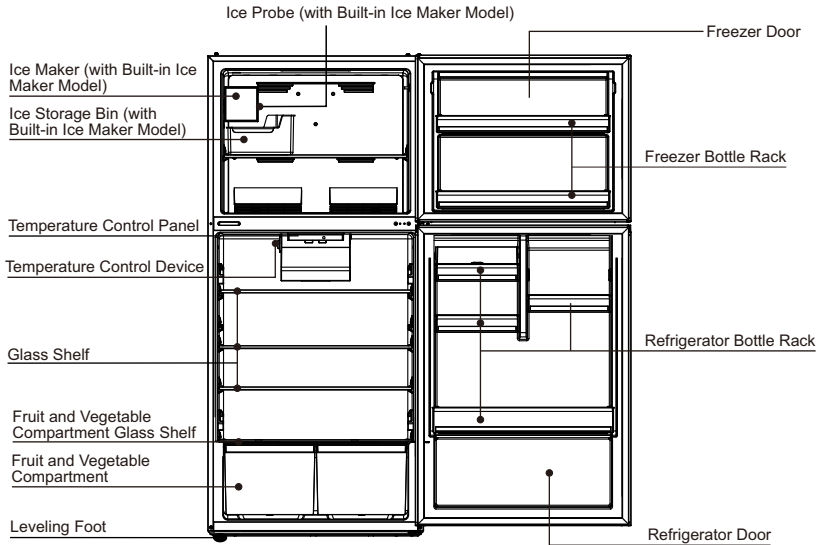
Please read the Operating Instructions carefully before operating the refrigerator and keep it properly

# Contents

Component Names and Characteristics of Refrigerators	2
Temperature and Humidity Adjustment Operation	3-6
Troubleshooting	7-8
Proper Use of Refrigerator	9-19
Ice Maker Installation	19-22
Connecting Water Supply System	23-24
Maintenance of Refrigerator	25
Defrosting Interval Declaration	25
Safety Precautions	26
Product Information	27
Important Note	27

# Component Names and Characteristics of Refrigerators

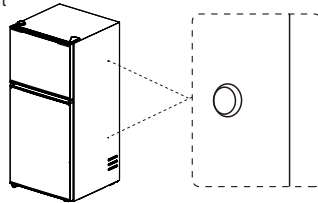
## Name of Each Component



Some features and accessories of the refrigerator you purchased may not be completely consistent with this legend, please refer to the packing list.



This is a process air vent, please don't block it during use.

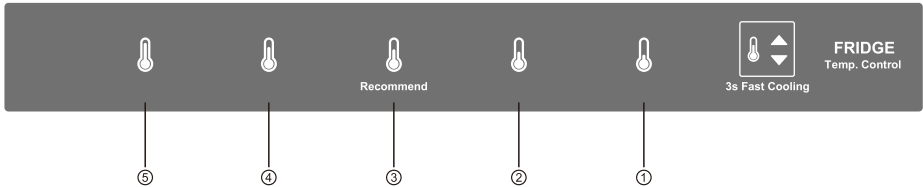


## Product Features

- Intelligent frost-free energy-efficient refrigerator  
The High-Efficiency Compressor and VIP (Vacuum Insulation Panel) Insulation Material and latest frost-free technology are adopted to achieve energy conservation, efficiency and superior performance.
- Temperature control is intelligent and accurate to keep fresh for a longer time  
The microcomputer control system is used to makes the temperature adjustment more accurate and keeps fresh for a longer time.
- LED display icons  
LED display icons are employed to present the setting levels and functional status of the refrigerating chamber, allowing for an intuitive and efficient operation.
- Quick refrigerating function  
Quick refrigerating function drops the temperature of the Refrigerating Chamber to 2°C (35.6 °F) quickly, which makes the fresh-keeping effect better and makes it easier to have iced drinks;
- Sabbath mode  
Sabbath mode, quickly turns off the lights of the freezer door and the refrigerator door.

# Temperature Control Panel Operation

## Temperature and Humidity Adjustment Operation (VEFTF3021R)



Temperature Range

Number	①	②	③	④	⑤
Range	0.5°C-4°C 32.9°F-39.2°F	1°C-4°C 33.8°F-39.2°F	1°C-5°C 33.8°F-41°F	1.5°C-6°C 34.7°F-42.8°F	2°C-8°C 35.6°F-46.4°F

### 1. Temperature Control Panel Display

Upon initial power-up, the default temperature for the refrigerating chamber is set to 4°C, with the corresponding display icon ③ illuminated.

#### Normal operation display

During regular operation, the temperature display icon indicates the set temperature level of the refrigerating chamber.

#### Display controls

Under normal circumstances, the display icons light up when the door is open, and they switch from left to right as you adjust the choices using the buttons. After the door is closed, the display icons turn off. In case of a malfunction, the corresponding display icons will flash.

### 2. Power-off Memory

When the power is cut off, the instantaneous working operating state at the moment of the power loss is locked, and upon power restoration, the appliance resumes operation based on the settings in place before the power interruption.





### 3. Fault Prompt





If the display icons display the following indications, it means the refrigerator has encountered a malfunction. Even in the presence of certain error conditions, the refrigerator can still cool, but it is recommended to contact a service technician as soon as possible to optimize the refrigerator's performance.

Display icon	Icon ① flashing	Icon ③ flashing	Icon ④ flashing	Icon ⑤ flashing
Fault types	Refrigeration temperature sensor malfunction	Freezing defrost sensor malfunction	Ambient temperature sensor malfunction	Communication failure

# Temperature Control Panel Operation

## 4. Temperature and Function Setting of Refrigerating Chamber




Press the temperature control button  to adjust the temperature of the refrigerating chamber. Each press increases the temperature by one level. Once the temperature reaches 8°C (the corresponding display icon ) , pressing the temperature control button  cycles it back to 2°C (the corresponding display icon ) , and so forth.

Press and hold the temperature control button  for 3 seconds to set the quick refrigerating mode. During this time, the display icon  and display icon  will light up; To exit the quick refrigerating mode, press and hold the temperature control button , the refrigerating chamber settings will revert to the levels set before entering the quick refrigerating mode.


## Temperature and Humidity Adjustment Operation (VEFTF3324R)



### Temperature Range

	 Recommend	
2°C-8°C 35.6°F-46.4°F	1°C-5°C 33.8°F-41°F	0.5°C-4°C 32.9°F-39.2°F

### 1. Temperature Control Panel Display

Each time the power is turned on, all icons are displayed for 3 seconds, followed by normal operational display (Upon initial power-up, the displayed icon is the recommended choice  ).

#### Normal operation display

During regular operation, the temperature display icon indicates the set temperature level of the refrigerating chamber.

#### Display controls

Under normal circumstances, the display icons light up when the door is open, and they switch from left to right as you adjust the choices using the buttons. After the door is closed, the display icons turn off. In case of a malfunction, the corresponding display icons will flash.

### 2. Power-off Memory

When the power is cut off, the instantaneous working operating state at the moment of the power loss is locked, and upon power restoration, the appliance resumes operation based on the settings in place before the power interruption.



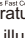



### 3. Fault Prompt

If the display icons display the following indications, it means the refrigerator has encountered a malfunction. Even in the presence of certain error conditions, the refrigerator can still cool, but it is recommended to contact a service technician as soon as possible to optimize the refrigerator's performance.

Display icon	Low temperature choice icon  flashing	Recommended choice icon  flashing	Lowest temperature choice icon  flashing
Fault types	Refrigeration sensor malfunction	Ambient temperature sensor malfunction	Defrost sensor malfunction

# Temperature and Humidity Adjustment Operation

## 4. Temperature and Function Setting of Refrigerating Chamber


Press the temperature control button  to adjust the refrigerating chamber temperature. With each press, the temperature decreases by one level. Once the temperature reaches the lowest temperature choice , pressing the temperature control button  again will cycle the temperature back to the low temperature choice , and so forth. Press and hold the temperature control button  for 3 seconds to set the quick refrigerating mode. During this time, all levels will display illuminated icons. To exit the quick refrigerating mode, press the temperature control button . The refrigerating chamber settings will revert to the levels set before entering the quick refrigerating mode.

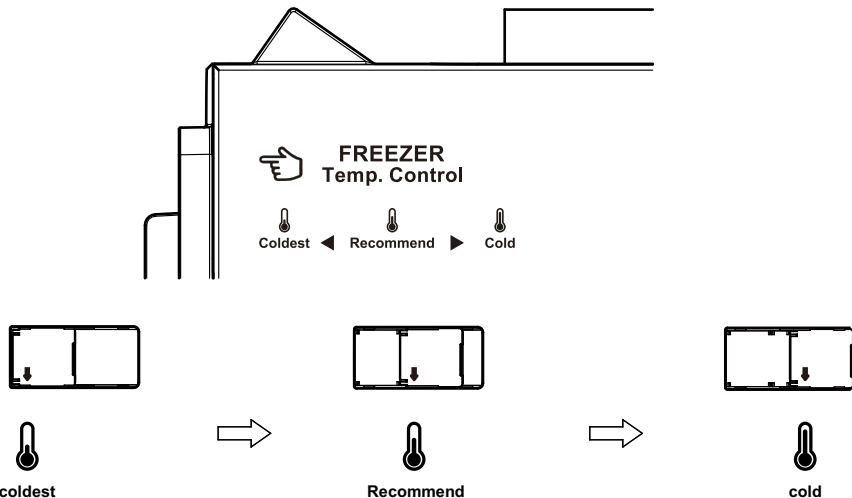
## Temperature and Humidity Adjustment Operation (all models)

### 1. Power-off Memory



When the power is cut off, the instantaneous working operating state at the moment of the power loss is locked, and upon power restoration, the appliance resumes operation based on the settings in place before the power interruption.

### 2. Temperature Setting of Freezing

Turn the air volume adjustment dial  so that the arrow on top points to the coldest position and the freezing chamber temperature will reach its lowest. Point it to the Recommended position, the freezing chamber temperature will reach the recommended temperature. Point it to the cold position, the freezing chamber temperature will reach its highest.



### 3. Sabbath Mode

When the refrigerator door is open, press the temperature control button  12 times consecutively to activate the Sabbath mode. In this mode, the lights in the refrigerator and freezer will turn off. To exit the Sabbath mode, open the refrigerator door and press the temperature control button  12 times consecutively. The lights in the refrigerator and freezer will then resume normal operation.

# Humidity Adjustment Operation

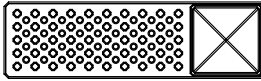
## 1. Fruit and Vegetable Compartment Glass Shelf with Humidity Control Function (Optional Component)



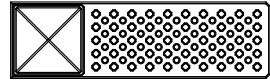
High  Low





Low  High



High  Low



Low  High

Adjust the humidity control dial  to the "low" position to minimize humidity in the fruit and vegetable compartment, adjust the humidity control dial  to the "high" position to maximize humidity in the fruit and vegetable compartment.

# Troubleshooting

For the following simple problems, you can try to solve them by yourself. If there is no improvement, please call the after-sales service department.

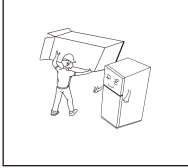
Problem Point	Possible Causes
The refrigerator doesn't work	Whether the power supply is connected and the plug is firmly plugged in Is the voltage too low
The refrigerator has an unpleasant odor	Smelly food should be tightly wrapped Check for food decay The inside of the refrigerator needs to be cleaned
The compressor works for a long time	It is a normal phenomenon that the refrigerator works for a long time in summer because the ambient temperature is high Too much food is put in at one time Do not place food in the refrigerator until it has cooled Open the refrigerator door too frequently
The refrigerator light is not on	Is the refrigerator powered on or the lighting lamp damaged
The refrigerator door cannot be closed	The door is jammed with food packages so that it can not be closed Too much food is put in Skewed refrigerator
Noise	Whether the ground is flat and the refrigerator is placed steadily Are refrigerator accessories in normal position
The door seal has seams	Remove foreign matter from door seal Heat the door seal and restore it after air cooling (with a hair dryer or a hot towel)
Water pan overflows the water	Too much food storage or too much moisture in the refrigerator leads to a large amount of water during defrosting Improperly closed door and other reasons make the air enter and start frosting, and the water produced by defrosting increases
Refrigerator shell heating	It is normal for the built-in condenser to dissipate heat inside through the shell The ambient temperature is too high, and there are too many foods or short downtime of compressor Causing the shell to heat up. Pay attention to ventilation and heat dissipation
Exterior condensation	When the ambient temperature is too high, there will be condensation phenomenon on the outer surface of the refrigerator and the surface of the door seal It is a normal phenomenon and can be wiped with a clean towel
There is an abnormal sound in the refrigerator	Buzz: When the compressor works, it will produce buzzing sound, and the sound is loud when starting or stopping, which is a normal phenomenon Squeak: It is a normal phenomenon that the refrigerant in electrical appliances will make a squeak when flowing

# Troubleshooting

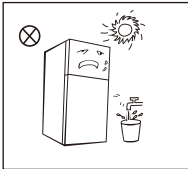
Problem Point	Possible Causes
Hearing one or more of the following sounds: humming/ dripping/ popping (ice collision sound)	Water inlet valve is functioning/water is entering the ice maker funnel/ice is being dispensed into the ice storage bin.
Ice tastes stale	Ice has been stored for too long; please make fresh ice and use it promptly.
Water overflows from the ice maker	Refrigerator or ice maker is not level. If water still overflows after leveling the ice maker, close the water inlet valve for the ice maker, adjust the ice probe to the "closed" position, and then contact customer service.
Insufficient ice production	It takes 72 hours to fill the ice storage bin; ice is produced every 2 to 3 hours during this period. If you need more ice, lower the freezing chamber temperature.
Ice maker stops working	The ice storage bin is full, and the ice probe is in the closed position; Water inlet valve is not open; Water inlet valve or water valve filter is clogged (please contact customer service).

# Proper Use of Refrigerator

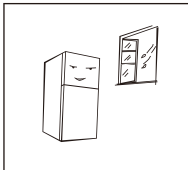
## Placing



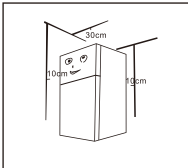
- Before using the refrigerator, remove all packaging materials, including the base cushion, foam cushion inside the refrigerator, adhesive tape, etc., and tear off the protective film on the door body and refrigerator.



- Keep away from heat sources and avoid direct sunlight. Do not place in damp or watery places to prevent rust or weaken insulation effect.
- Do not spray or wash the refrigerator with water, and do not place it in a place where it is damp and easy to splash water, so as not to affect the electrical insulation performance of refrigerator products.

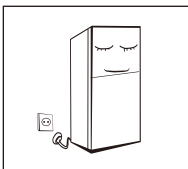


- Place the refrigerator in a well-ventilated place indoors, and the ground is flat and firm (if there is any instability, you can rotate the leveling foot to the left or right for leveling).



- This refrigerator is installed independently and cannot be used as an embedded device, otherwise it will lead to problems such as unable to fit into cabinets, reduced product performance and life, and unable to obtain the basic product warranty provided by the manufacturer.

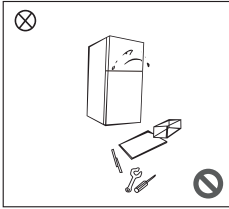
## Start



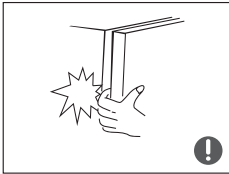
- For the transported products, please place them for more than 2 hours before turning on the power, otherwise it will lead to product performance degradation or damage.
- Before putting fresh or frozen food, let the refrigerator run for 2~3 hours; the ambient temperature is high in summer, thus the refrigerator should be fully operated for more than 4 hours first.
- In case of power cut or cleaning, the power plug should be unplugged and kept at least five minutes at intervals before the power supply can be turned on again, so as to prevent the compressor from being damaged due to continuous start-up.

# Proper Use of Refrigerator

## Notice for Use



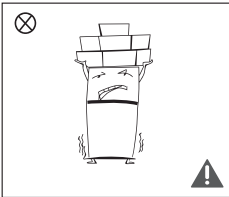
- It is strictly prohibited to dismantle or transform the refrigerator without permission, and it is prohibited to damage the refrigeration pipeline. The maintenance of the refrigerator must be carried out by professionals.
- If the power cord is damaged, it must be replaced by the relevant professionals of the seller or its maintenance department in order to avoid danger.



- There is a small gap between the freezer door and the refrigerator door, as well as between each door and the refrigerator body. Be careful not to reach into these areas to avoid crushing your fingers. When opening and closing the refrigerator door, don't use too much force to avoid items falling.
- After the refrigerator starts to run, don't use wet hands to take food or containers in the Freezing Chamber, especially metal containers, so as to avoid frostbite.

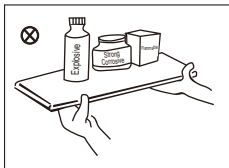


- Do not allow children to enter or climb the refrigerator, so as to avoid being sealed in the refrigerator products, which may lead to suffocation, or falling electrical products to hurt children.

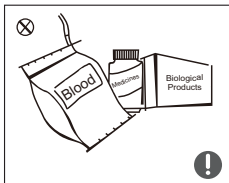


- Please do not place heavy objects on the top of the refrigerator. When closing the door, they are easy to fall and cause accidental damage.

## Matters Related to Placing Articles



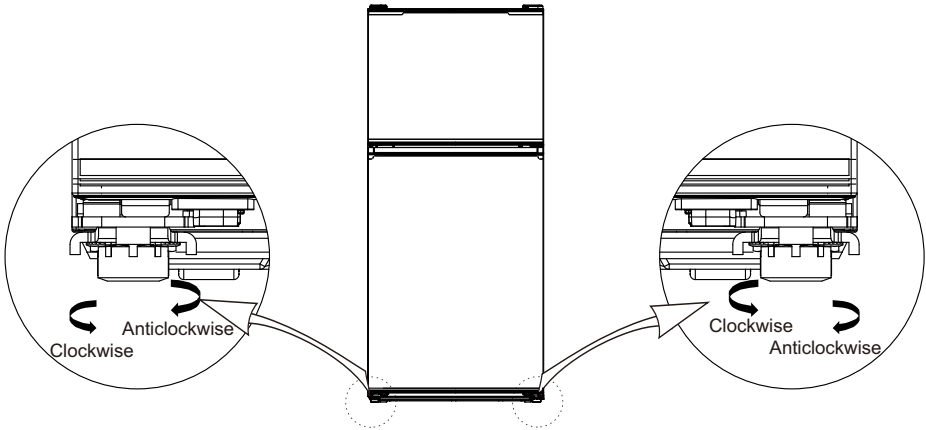
- Please do not put flammable, explosive, volatile and strong corrosive articles into electrical appliances, so as not to cause product damage or fire accidents.
- Please do not place or use combustible articles near the refrigerator to avoid fire.



- This refrigerator is a household refrigerator, which is only suitable for storing food, and cannot be used for other purposes, such as storing blood, medicines and biological products.

# Proper Use of Refrigerator

## Schematic Diagram of Leveling Foot









(The above pictures are for reference only, and the actual configuration is subject to the purchased physical objects or the seller's statement)

Adjustment steps:

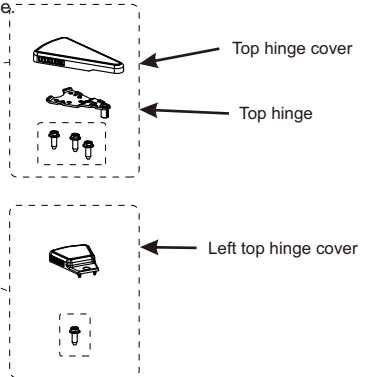
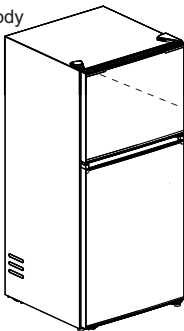
- Rotate the bottom leveling foot clockwise to raise the refrigerator;
- Rotate the bottom leveling foot anticlockwise to lower the refrigerator;
- According to the above steps, level the refrigerator by rotating the leveling feet on the left and right until the refrigerator is at a horizontal height.

## Left and Right Door Change

List of tools to be provided by users			
	Cross screwdriver		Putty knife
			Straight screwdriver
	5/16" Socket spanner		Masking paper tape

- Remove articles from the door body.
- Remove the top hinge cover, left top hinge cover, and the top hinge.

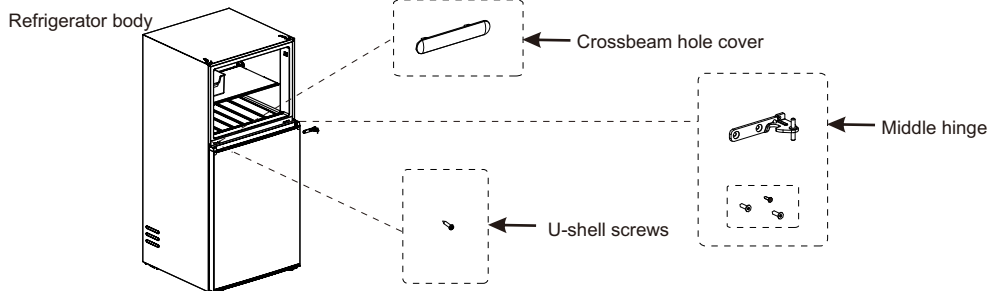
Refrigerator body



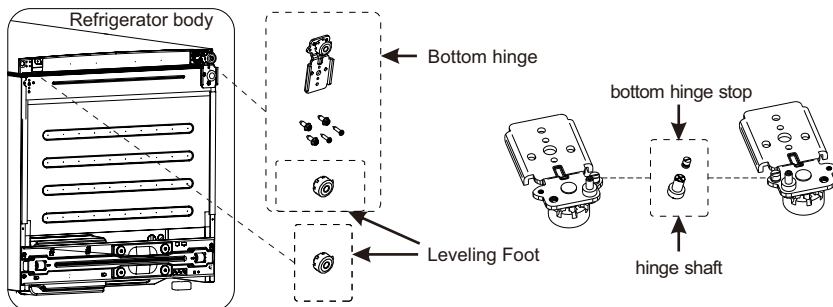
# Proper Use of Refrigerator

## Left and Right Door Change

3) Take off the freezer door carefully (ensure not to lose small parts on the door). Carefully unscrew the U-shell screws and pry open the crossbeam hole cover, remove the middle hinge.



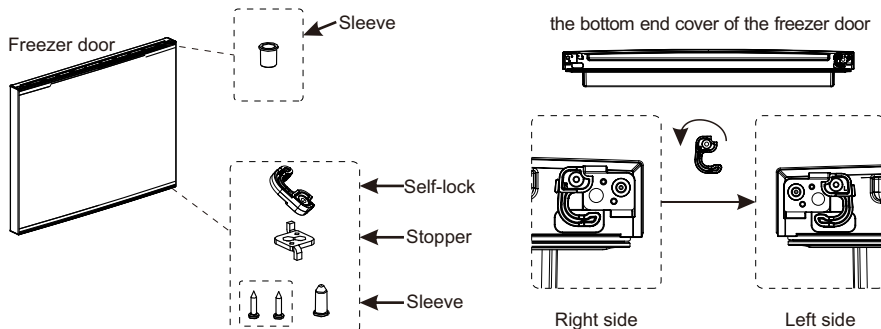
4) Take off the refrigerator door carefully (ensure not to lose small parts like sleeve and stopper on the door); Remove the bottom hinge and leveling foot. Remove the bottom hinge stop and the hinge shaft and install them on the other side of the hinge, and install the modified bottom hinge on the other side of the refrigerator; the leveling foot is installed on the original bottom hinge side.



5) Freezer door replacement:

① Install the sleeve on the other side;

② Remove the self-lock, stopper, and sleeve from the freezer door, flip and install the self-lock on the left side of the bottom end cover of the freezer door, and move the stopper and sleeve to the left side of the freezer door.

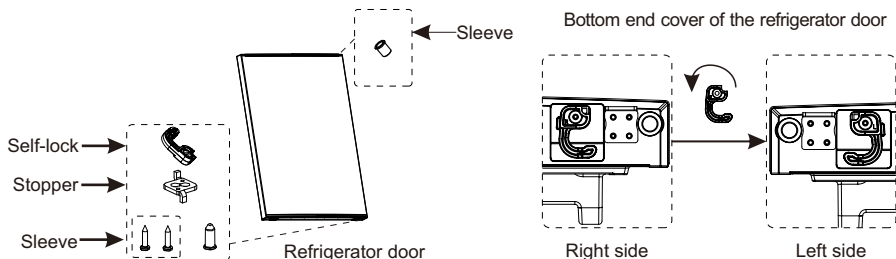


# Proper Use of Refrigerator

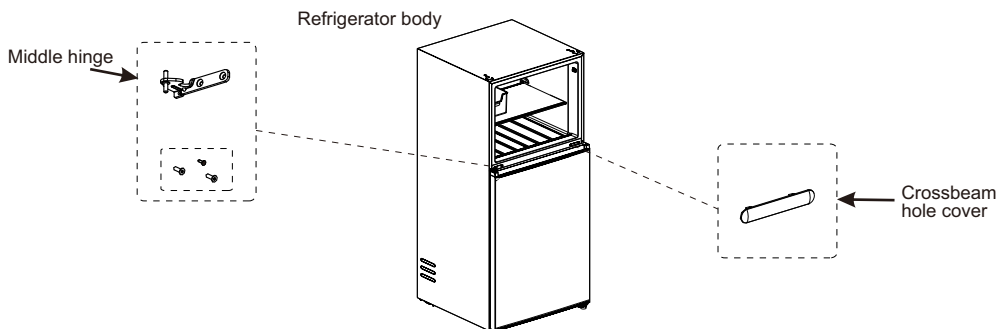
## Left and Right Door Change

6) Refrigerator door replacement:

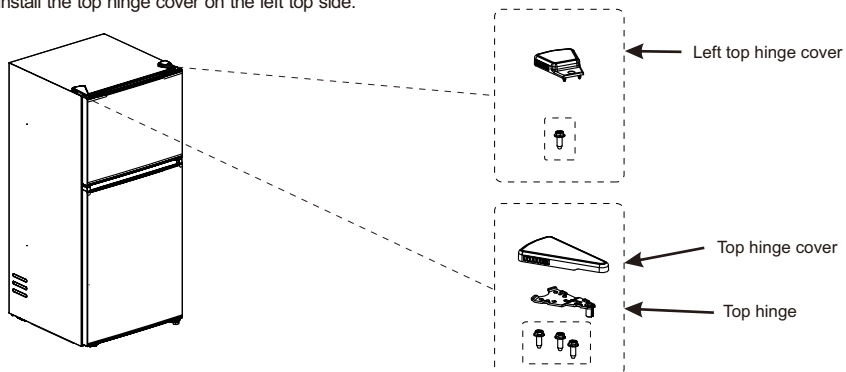
- ① Remove the sleeve of the refrigerator door, install it at the left side.
- ② Remove the self-lock, stopper, and sleeve from the refrigerator door, flip and install the self-lock on the left side of the bottom end cover of the refrigerator door, and move the stopper and sleeve to the left side of the refrigerator door.



7) Install the replaced refrigerated door on the bottom hinge, then install the middle hinge and cover with the crossbeam hole cover.






8) Place the freezer door on the middle hinge and install the top hinge; install the left top hinge cover on the right top side; install the top hinge cover on the left top side.



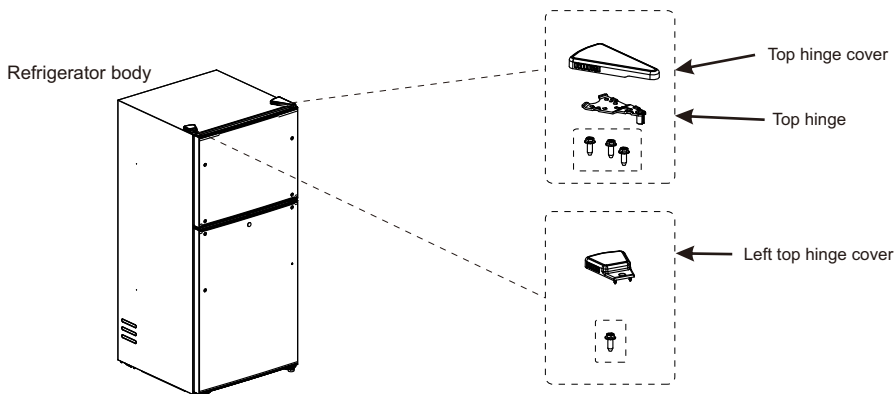
(The above pictures are for reference only, and the actual configuration is subject to the purchased physical objects or the seller's statement)

# Proper Use of Refrigerator

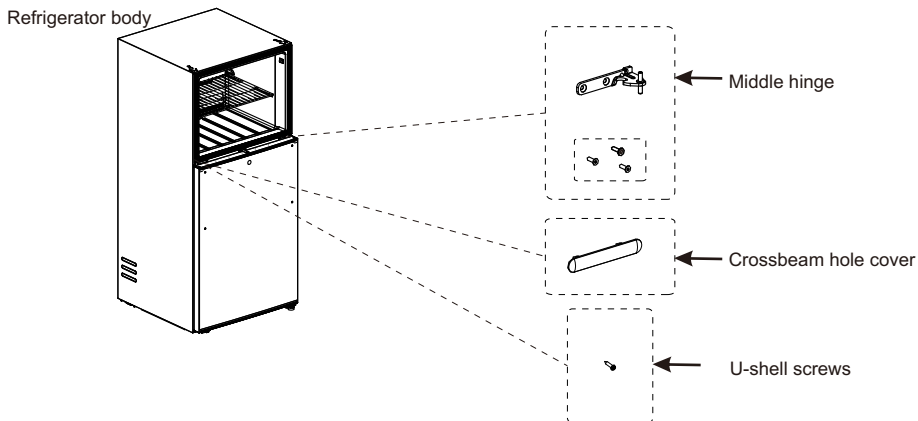
## Left and Right Door Change (With Handle Model)

List of accessories for packaging bags			
	Cross screwdriver		5/32" Allen key
	5/16" Sleeve wrench		

- 1) Remove items from the door, and unlock the child lock if applicable. (For models with a child lock mechanism. For models with optional handles already installed, you need to disassemble the handle first. Specific steps for disassembly are provided after the instructions of the left and right door change.)
- 2) Remove the top hinge cover, left top hinge cover, and top hinge.



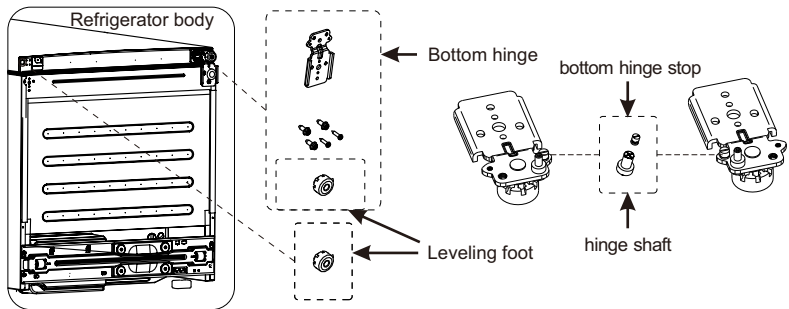
- 3) Take off the freezer door carefully (ensure not to lose small parts like sleeve and stopper on the door). Carefully pry open the U-shell screws and crossbeam hole cover, and remove the middle hinge.



# Proper Use of Refrigerator

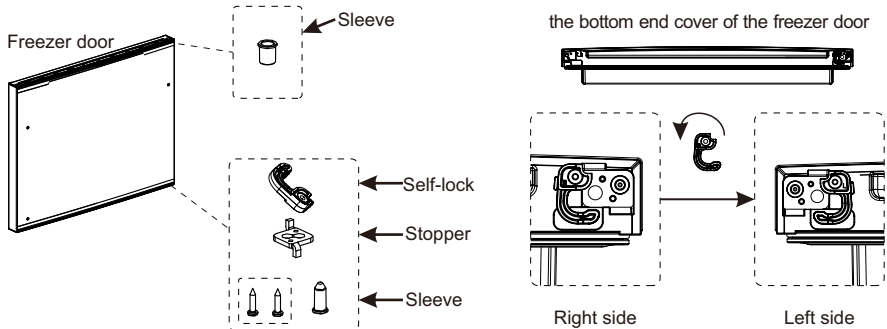
## Left and Right Door Change (With Handle Model)

- 4) Take off the refrigerator door carefully (ensure not to lose small parts like sleeve and stopper on the door); Remove the bottom hinge and leveling foot. Remove the bottom hinge stop and the hinge shaft and install them on the other side of the hinge, and install the modified bottom hinge on the other side of the refrigerator; the leveling foot is installed on the original bottom hinge side.



- 5) Freezer door replacement:

- ① Install the sleeve on the other side;
- ② Remove the self-lock, stopper, and sleeve from the freezer door, flip and install the self-lock on the left side of the bottom end cover of the freezer door, and move the stopper and sleeve to the left side of the freezer door.

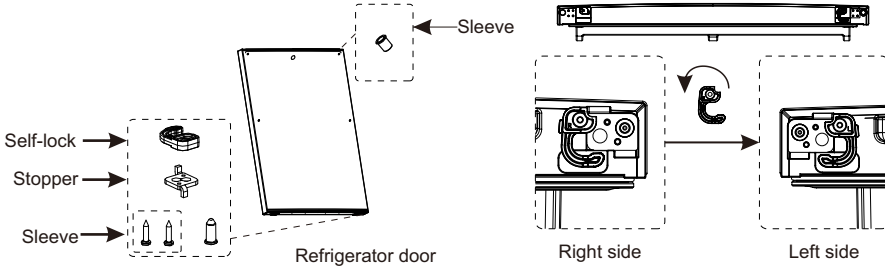


# Proper Use of Refrigerator

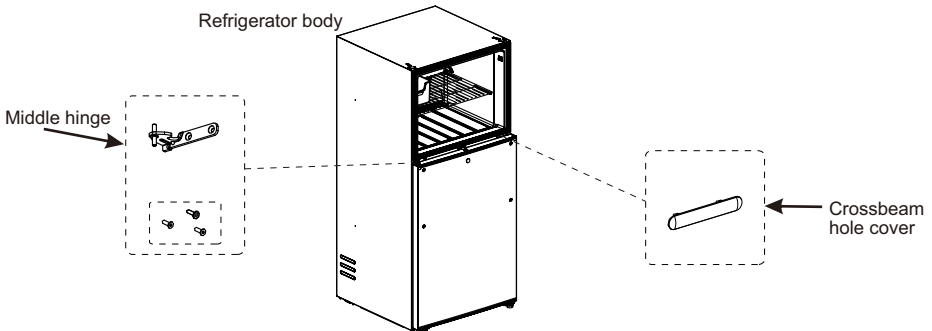
## Left and Right Door Change (With Handle Model)

6) Refrigerator door replacement:

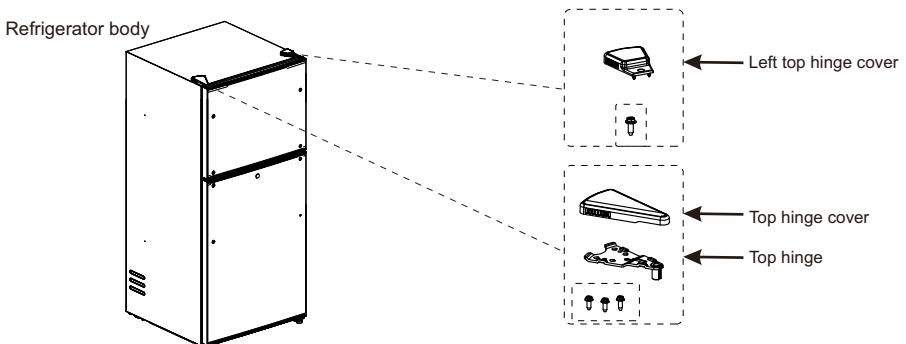
- ① Remove the sleeve of the refrigerator door, install it at the left side.
- ② Remove the self-lock, stopper, and sleeve from the refrigerator door, flip and install the self-lock on the left side of the bottom end cover of the refrigerator door, and move the stopper and sleeve to the left side of the refrigerator door.



7) Install the replaced refrigerated door on the bottom hinge, then install the middle hinge and crossbeam hole cover.







8) Place the freezer door on the middle hinge and install the top hinge; install the left top hinge cover on the right top side; install the top hinge cover on the left top side.



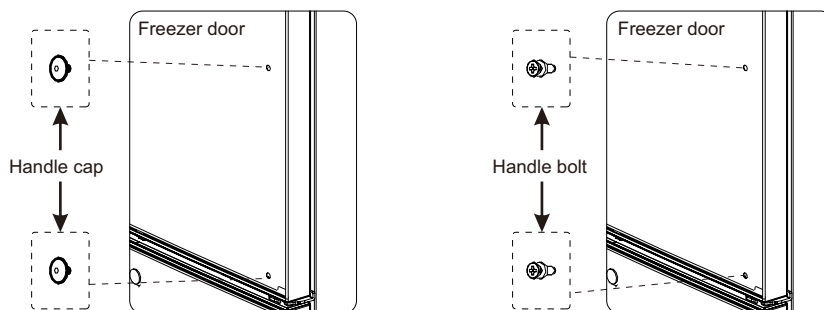
(The above pictures are for reference only, and the actual configuration is subject to the purchased physical objects or the seller's statement)

# Proper Use of Refrigerator

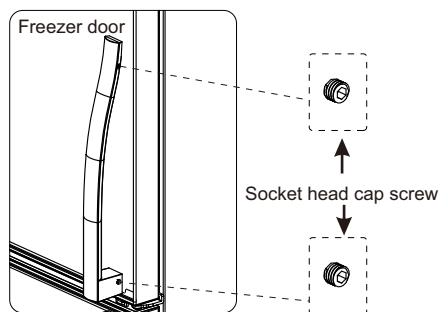
## Handle Installation (Optional Handle Model)

List of accessories for packaging bags			
	3/25" Allen key		Handle bolt
	Plug		Socket head cap screw

1) Taking the freezer door and cigar-shaped handle as an example (the refrigerated door and arc-shaped handle are similar), choose one side in the direction you like, find the reserved hole on the door, pry open the handle cap, insert the two handle bolts into the reserved hole, and tighten them.

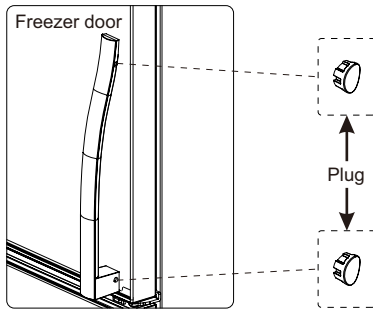


2) Align the holes on the door handle with the handle bolts and insert them. Insert a socket head cap screw into the outer threaded hole of the handle and tighten it with an Allen key. Repeat this step and secure the lower end of the handle tightly.



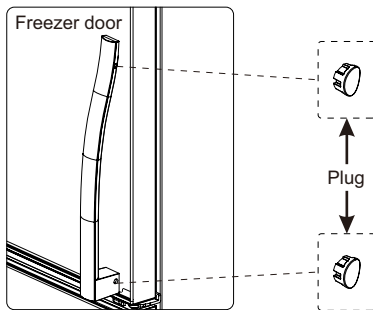
3) Install the plug on the outer side of the upper and lower ends of the outer handle Tobacco-pipe-shaped handle on both sides), completing the installation.

# Proper Use of Refrigerator

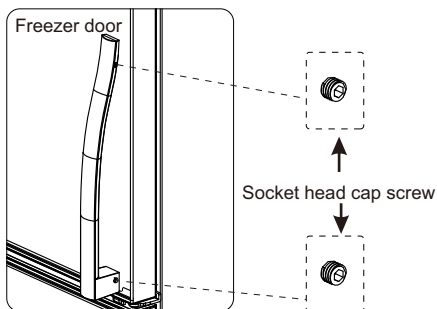


## Remove the Handle (Optional Handle Model)

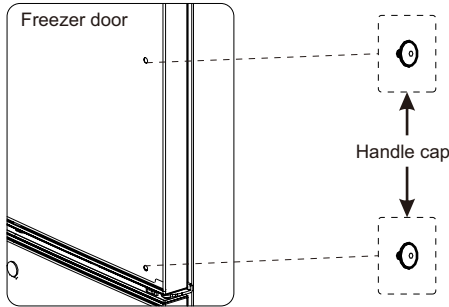
1) Taking the freezer door and cigar-shaped handle as an example (the refrigerated door and arc-shaped handle are similar), remove the two plugs on the outer sides of the upper and lower ends of the handle.







2) Use an allen key to remove the socket head cap screws on the outer sides of the upper and lower ends, and remove the handle.



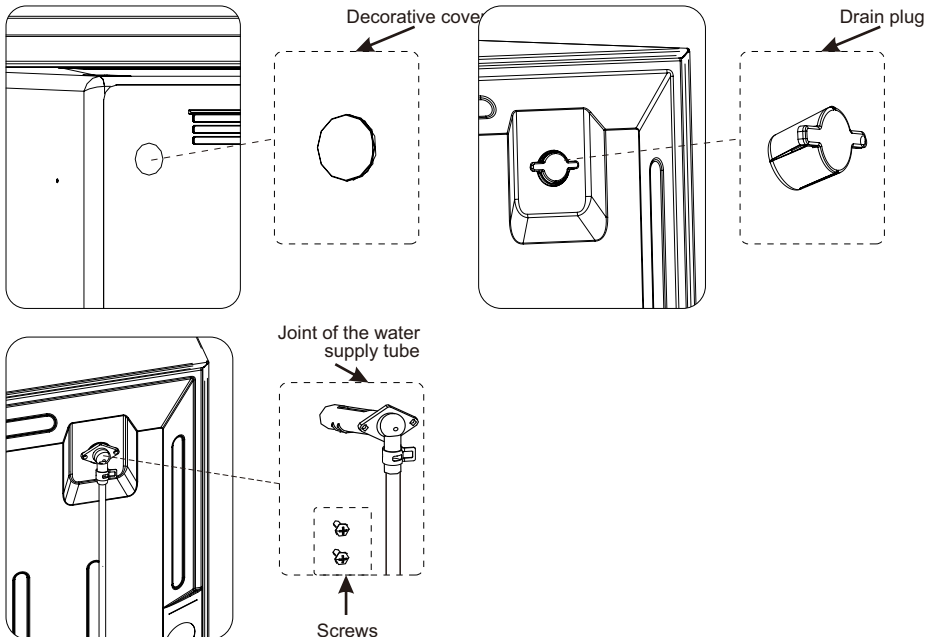
3) Place the handle cap into the reserved hole on this side to complete the disassembly.



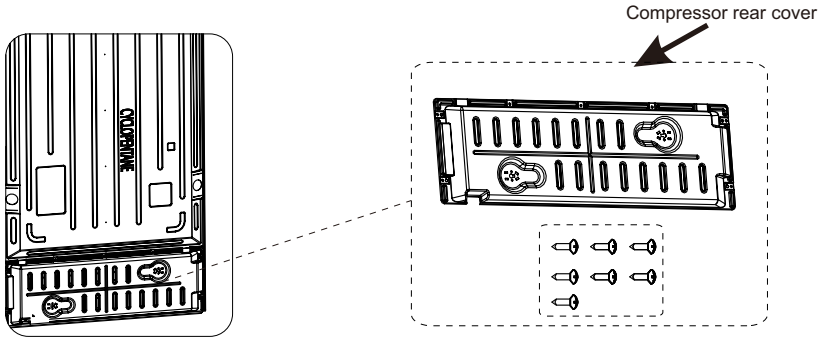
## Ice Maker Installation (Optional Ice Maker Model)

List of tools to be provided by users			
	Cross screwdriver		Putty knife Straight screwdriver
	1/2" Adjustable wrench		Electric screwdriver 1/4" Drill bit

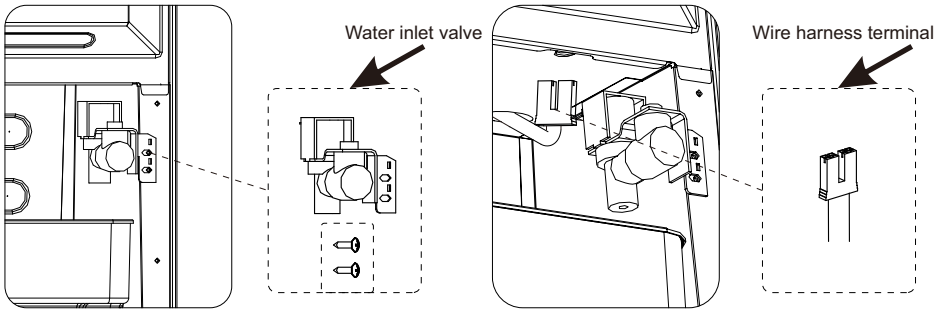
1) First, use a straight screwdriver to pry open the decorative cover inside the freezing chamber. Then, Remove the drain plug from the back of the refrigerator, locate the groove at the top of the back of the refrigerator, insert the joint of the water supply tube into the guide, and secure the joint of the water supply tube with two screws.



2) Remove all the screws securing the compressor rear cover (located at the bottom back of the refrigerator) and remove the compressor rear cover.

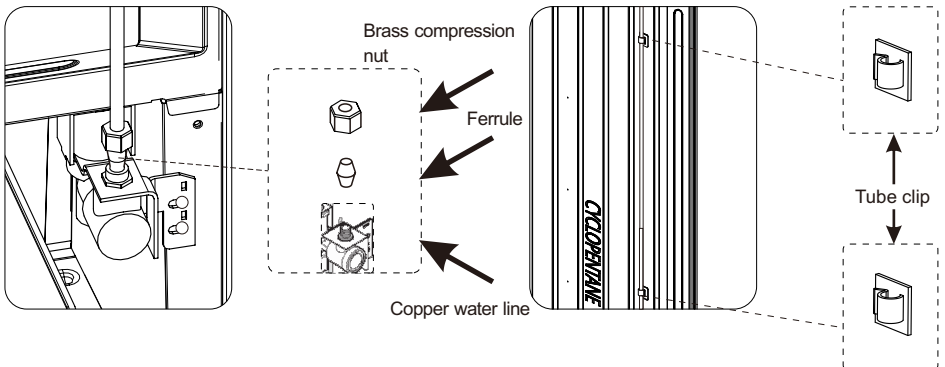


3) Align the water inlet valve with the hole at the lower right side of the back, tighten it with two screws, cut off the zip ties on the wire harness terminal on the body, and insert the wire harness terminal on the body into the terminal of the water inlet valve.

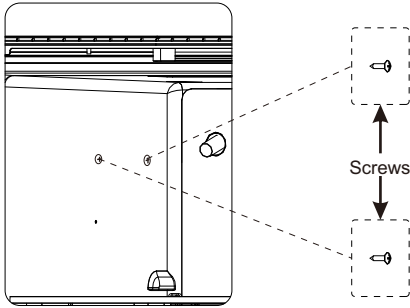


4) ① Thread the brass compression nut and ferrule into the long water pipe in sequence, and insert them into the copper water line. Finally, rotate and tighten the brass compression nut onto the copper water line.

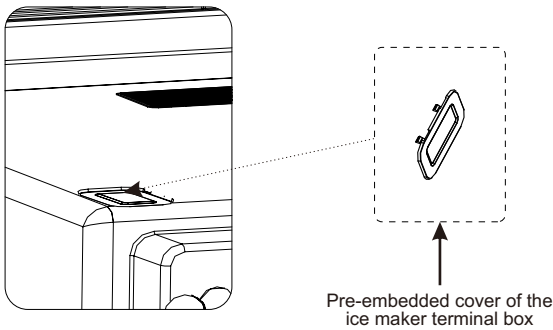
② Thread the long water tube on the water inlet valve into the tube clamp at the upper groove on the back of the refrigerator and the short water tube into the tube strap at the lower groove.



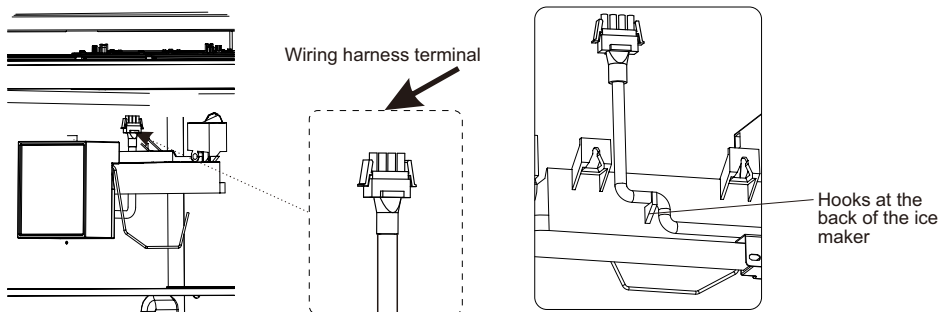
5) Align the two ice maker installation screws with the two small holes above the freezer wall, screw them in halfway clockwise, making sure not to fully tighten.



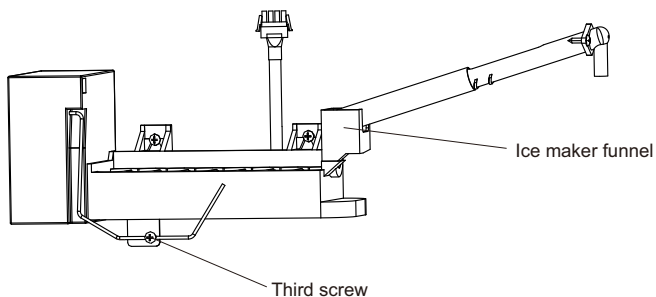
6) Using a straight screwdriver, remove the pre-embedded cover of the ice maker terminal box located at the top of the freezing chamber. Please save the cover pre-embedded cover of the ice maker terminal box for future use. (Only applicable to models with an ice maker installation interface.)



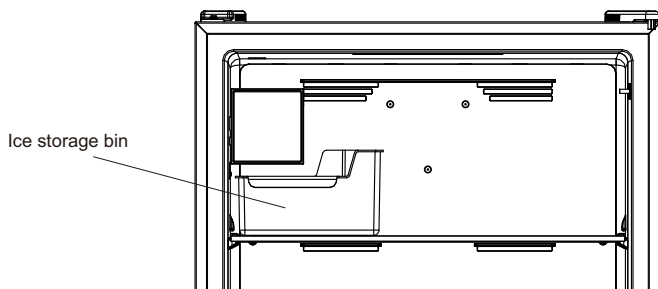
7) With one hand holding the ice maker, use the other hand to connect the terminal connection of wiring harness to the ice maker terminal box located at the top of the freezing chamber. Check the connection for tightness and ensure the wiring harness is secured on the hooks at the back of the ice maker.



8) Hang the ice maker on the two previously partially screwed screws, align the water outlet of the water supply tube with the ice maker funnel, then insert the third screw, and finally tighten all the screws. The ice maker is now securely fixed.







9) Place the ice storage bin on the corresponding position of the freezer glass shelf to complete the installation.

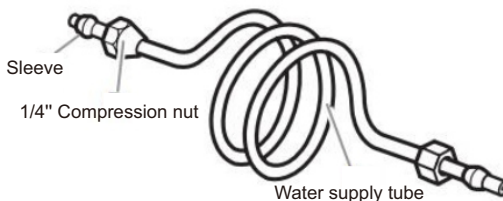
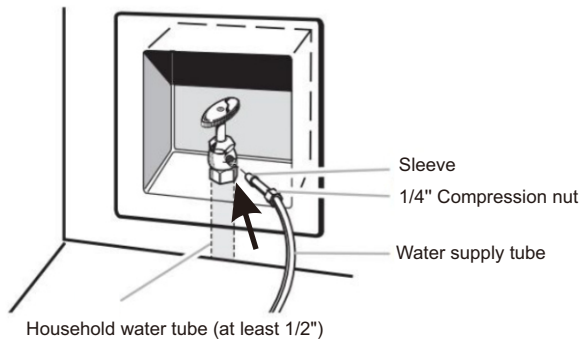


# Connecting Water Supply System (with Built-in Ice Maker Model)

## Connecting Water Supply

List of tools to be provided by users			
	Faucet		1/4" Water supply tube
	1/4" Compression nut		Sleeve

- 1) Unplug the refrigerator or disconnect the power;
- 2) Shut off the main water supply system. Choose the faucet closest to the refrigerator;
- 3) Use the faucet or a similar valve in the household. (Note: To ensure sufficient water flow to the refrigerator, it is recommended to use at least a 1/2" household water tube);
- 4) Now, you can connect the water supply tube to the faucet. (Note: Use a 1/4" water supply tube for the connection);
- 5) Ensure the length of your water supply tube is appropriate, and make sure both ends of the water supply tube are cut flat.
- 6) Sleeve the compression sleeve and compression nut onto the water supply tube. Insert one end of the water supply tube into the faucet's water outlet, and use a wrench to tighten the compression nut onto the water outlet, being careful not to overtighten;

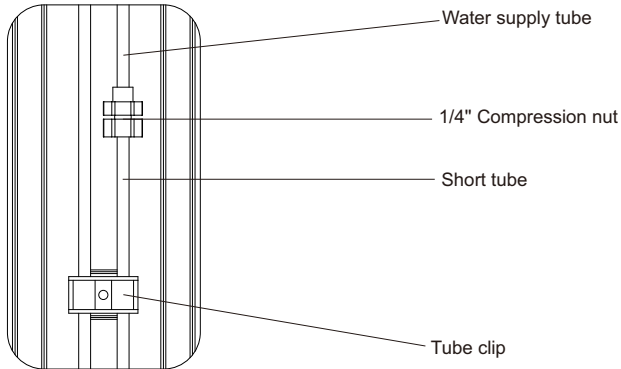


The maximum inlet water pressure is  $1.5 \times 10^5$ , in pascals;

The minimum inlet water pressure is  $6 \times 10^4$ , in pascals, if this is necessary for the correct operation of the appliance.

- 7) Place the other end of the water supply tube into an empty container or sink, and open the main water supply system to flush the water supply line until the water runs clear. Close the faucet (Note: Before connecting to the faucet interface, ensure the water supply line is purged.)

## Connecting the Refrigerator

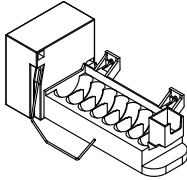


- 1) Disconnect the refrigerator from the power source and turn off the water supply.
- 2) As shown in the diagram, use the compression nut to connect the water supply tube to the short tube of the inlet valve (at this point, the short tube should already be secured on the tube clip as per the fifth step of the ice maker installation). Tighten the compression nut. Be careful not to overtighten. Pull the water supply tube to ensure a secure connection.
- 3) Turn on the water supply system and check for any leaks.

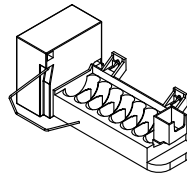
## Ice Maker Control (Optional Component)

Ice Making Function Enabled: Lower the ice probe vertically, approaching approximately 90° to the horizontal plane;

Ice Making Function Disabled: Rotate the ice probe outward 70-85°, aligning approximately parallel to the horizontal plane.



Ice Making Function Enabled



Ice Making Function Disabled

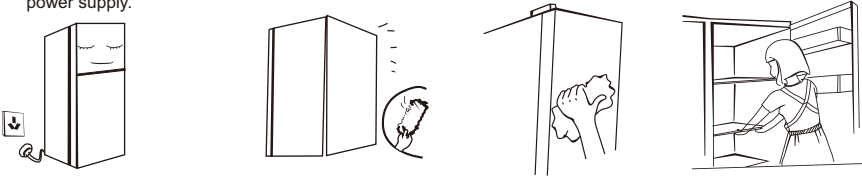
# Maintenance of Refrigerator



When cleaning and defrosting the refrigerator, please unplug the power plug first.

## Cleaning

- Please clean up the dust behind the refrigerator and on the ground on time to improve the heat dissipation effect and save energy.
- The inside of the refrigerator should be cleaned frequently to avoid an unpleasant odor. When cleaning, please use a soft towel or sponge, and dip it in clear water or non-corrosive neutral detergent, and finally wipe it with clear water and dry it with a dry rag. Open the door and dry it naturally before turning on the power supply.



When cleaning, do not use hard brushes, steel wire balls, steel wire brushes, abrasives (such as toothpaste), organic solvents (such as alcohol, acetone, lacquer thinner, etc.), boiled water, acid and alkaline articles to clean the refrigerator. This may damage the surface and liner of refrigerator.



Do not wash with water when cleaning, so as not to affect the electrical insulation performance. Please use a dry rag when cleaning electrical components such as lighting lamps.



## Defrosting

This refrigerator is a full air-cooled with automatic defrosting function without manual operation.

## Defrosting Interval Declaration

Ambient temperature	Defrosting interval	Time	Specific conditions
32 °C	Minimum defrosting interval ( $\Delta t_{\text{min}}$ )	8h	Frequently used, the Freezing Chamber can not reach the set temperature
	Maximize defrosting interval ( $\Delta t_{\text{max}}$ )	48h	No door opening and closing action, and no special mode setting

# Safety Precautions



## Warning: Risk of fire / Flammable materials

**FOR EN standard:** This appliance can be used by children aged from 8 years and above and persons with reduced physical, sensory or mental capabilities or lack of experience and knowledge if they have been given supervision or instruction concerning use of the appliance in a safe way and understand the hazards involved. Children shall not play with the appliance. Cleaning and user maintenance shall not be made by children without supervision. Children aged from 3 to 8 years are allowed to load and unload refrigerating appliances.

**FOR IEC standard:** This appliance is not intended for use by persons (including children) with reduced physical, sensory or mental capabilities, or lack of experience and knowledge, unless they have been given supervision or instruction concerning use of the appliance by a person responsible for their safety.)

When children are present, they should be supervised to ensure that they do not play with this refrigerator.

If the power cord is damaged or the socket hole is loose, it must be replaced by the manufacturer, its service agent or similar institutions to avoid danger. Do not store explosive substances (such as aerosol tanks with flammable propellants) in the refrigerator.

The power plug of the equipment must be unplugged after use and before self-cleaning of equipment.

LED lamp were used, it can only be replaced by the manufacturer or its service agent, together with a part of the appliance

- WARNING: Ensure there are no obstacles in the ventilation holes in the equipment shell or built-in structure.
- WARNING: Do not use mechanical devices or other means to speed up defrosting except the process recommended by the manufacturer.
- WARNING: Do not damage the pipes of the refrigerant circuit.
- WARNING: Do not connect the plug adapter or other accessories to the power plug.
- WARNING: Please dispose the refrigerator according to local regulations, because it uses flammable cyclopentane and refrigerant.
- WARNING: When positioning the equipment, make sure that the power cord is not clamped or damaged.
- WARNING: Do not locate multiple portable socket-outlets or portable power supplies at the rear of the appliance.
- WARNING: Do not modify or extend the power cord.
- WARNING: The risk of trapping the children.
- WARNING: It is strictly prohibited to disassemble or modify the ice maker and its related components without authorization. To avoid danger, replacement must be carried out by the manufacturer, its service department, or qualified professionals.
- WARNING: Keep ventilation openings, in the appliance enclosure or in the built-in structure, clear of obstruction.
- WARNING: Do not use mechanical devices or other means to accelerate the defrosting process, other than those recommended by the manufacturer.
- WARNING: Do not use electrical appliances inside the food storage compartments of the appliance, unless they are of the type recommended by the manufacturer.
- WARNING: Connect to potable water supply only.

Before disposing the old refrigerator:

- Remove the refrigerator doors.
  - Put the bottle racks and doors in a proper place to prevent children from entering and playing to cause accidents.
- To avoid food contamination, please abide by the following instructions:

- Please do not open the door for a long time, otherwise it will lead to leakage of cold air, causing the internal temperature of the refrigerator to rise and food to easily deteriorate.
- Store raw meat and fish in proper containers in the refrigerator so that they do not touch on other foods.
- If the refrigeration equipment is idle for a long time, please thaw, clean and dry the equipment before leaving, close the door and cut off the power to prevent mold in the container.
- For freestanding devices: The refrigeration equipment is not intended to be used as a built-in equipment appliance.

## Product Information

Factory Model	VEFTF3021RBK	VEFTF3021RWH	VEFTF3021RSL
Voltage	115V	115V	115V
Rated Current (A)	2.2A	2.2A	2.2A
Frequency	60Hz	60Hz	60Hz
Refrigerant Type	R600a,58g(2.04oz)	R600a,58g(2.04oz)	R600a,58g(2.04oz)

Factory Model	VEFTF3324RBK	VEFTF3324RWH	VEFTF3324RSL
Voltage	115V	115V	115V
Rated Current (A)	1.45A	1.45A	1.45A
Frequency	60Hz	60Hz	60Hz
Refrigerant Type	R600a,60g(2.12oz)	R600a,60g(2.12oz)	R600a,60g(2.12oz)

## Important Note



The refrigerant and cyclopentane foam materials used in this equipment are flammable. Therefore, when equipment is abandoned, it should be kept away from any fire source and treated by a qualified special recycling company instead of combustion treatment to prevent damage to the environment or any other harm.w, clean and dry the equipment before leaving, close the door and cut off the power to prevent mold in the container.



# TWO Year Limited Warranty

## Thank you for choosing a Verona appliance for your home.

EuroChef warrants to the original purchaser ("Purchaser") of this product (the "Product"), for a period of two (2) years (except for certain components identified below) from the date of original purchase, that the Product is free from defects in workmanship and materials. This warranty covers all parts and labor required to repair or replace any part of the Product that proves to be defective under normal residential use. To be eligible for this warranty, the Product must be: (i) sold to Purchaser as new product to the original owner by an authorized distributor, retailer, dealer, or service center of Verona Appliances and (ii) installed in the United States. The warranties provided in this statement are not transferable and are valid from the date of purchase.

This limited warranty is valid only provided that written notification of a defect, as well as a copy of the original receipt for the defective Product, is received by EuroChef from Purchaser within thirty (30) days of identification of the defect. EuroChef (who may appoint 3<sup>rd</sup> party agents to act on its behalf in connection with any Product inspection or provision of warranty services hereunder) reserves the right to inspect the Product and its installation. The purchaser is responsible for providing EuroChef authorized service providers and/or representatives with access to the premises at which the Product is installed, and such other information and materials as EuroChef may request, shall be a condition to any claim hereunder. If EuroChef determines that a defect in the Product is covered by this limited warranty, it will, at its expense and as its sole and exclusive obligation for breach of this limited warranty, and Purchaser's sole and exclusive remedy, repair or replace the defective Product. If EuroChef determines that an alleged defect in the Product is not covered by this limited warranty, it shall not have any obligation to repair or replace the Product.

EuroChef will initially attempt to repair any defect in its Products. Only if a Product cannot be repaired after 3 attempts for the same issue by a EuroChef authorized service provider may the Product be replaced with a new Product from EuroChef. In the event EuroChef determines that a defective Product must be replaced, the original retailer on the bill of sale will be contacted to process a replacement order. In the event that EuroChef determines a Product is irreparable, replacement approval may take up to 30 days.

For instances where a Product is installed in a remote area outside of EuroChef's authorized network of service providers, Purchaser is responsible for the travel expenses and associated out-of-pocket costs of EuroChef's authorized service provider. In the event that a product installed in a remote location is deemed to need replacement, the Purchaser is responsible for all delivery costs and risk of loss associated with transportation of the Product to the Purchaser's location.

The Purchaser is responsible for establishing that the appliance has been installed in accordance with all directions and installation instructions included with the Product's accompanying materials at time of purchase. EuroChef shall have no obligation to render any services to correct issues caused by an Installer's failure to follow all directions and instructions. Any expense of repair deemed to be caused by faulty installation shall be payable by Purchaser at EuroChef's then current rates.

A Products' exterior paint and/or lacquer must be cared for according to the instructional materials provided with the Product at time of purchase. If those instructional materials are not followed or harsh chemicals are used, any damages and subsequent repairs to a Product's paint and/or lacquer are not covered by this warranty.

## Component Warranty Periods:

Any components of eligible products showing cosmetic defects, whether in material or workmanship, are covered by this warranty for a period of thirty (30) days from the product's delivery date. Coverage\* is provided for:

- Scratches
- Stains
- Surface Imperfections (ONLY stainless steel)
- Paint & Porcelain Imperfections

\* Excludes slight differences in color due to materials and painting/enameling technologies.

Photo/video proof required to be submitted to [service@veronaappliances.com](mailto:service@veronaappliances.com) in order to be reviewed.

Gaskets are covered by this warranty for a period of ninety (90) days from the product's installation date.

Replacement of glass components and light bulbs are covered by this warranty for a period of thirty (30) days after delivery.

## Exclusions to Warranty Coverage: This Limited Warranty will not apply to any of the following:

- Any service, including repair service to correct damage caused by services performed on the Product by anyone other than an authorized EuroChef service provider, or the use of parts not authorized by EuroChef.
- Defects or damage caused by improper storage, cleaning and maintenance of the Product, including any failure to comply with Manufacturer's written instructions and documentation regarding same.
- Service calls to connect, convert, or otherwise repair the electrical wiring and/or gas line to properly use the Product.
- Replacement of components prone to wear and tear.
- Defects and damage arising from transportation of the Product to the home of the owner, by the dealer/retailer or a hired delivery/logistics provider.
- Defects and damage arising from external forces beyond the control of EuroChef such as fire, flood, earthquakes, and other acts of God
- Accidental or intentional damage.
- Use of improper pans, containers, or accessories that cause damage to the Product.

**Warranty Void: This Limited Warranty will be void in any of the following circumstances:**

- The Product is used on a commercial, rental, or leased basis
- The serial plate for the Product is defaced
- The Product is altered by anyone other than an authorized EuroChef service provider
- The Product is not used according to Manufacturer's written instructions and documentation regarding same.

THE REMEDIES DESCRIBED ABOVE FOR EACH WARRANTY ARE THE ONLY ONES THAT EUROCHEF WILL PROVIDE, EITHER UNDER THIS WARRANTY OR UNDER ANY WARRANTY ARISING BY OPERATION OF LAW. EUROCHEF WILL NOT BE RESPONSIBLE FOR ANY CONSEQUENTIAL OR INCIDENTAL DAMAGES ARISING FROM THE BREACH OF THIS WARRANTY OR ANY OTHER WARRANTY, WHETHER EXPRESS, IMPLIED OR STATUTORY

This warranty gives you specific legal rights and you may have others which vary from state to state.

For questions, concerns or to start a warranty claim, please contact us at:

PHONE: 631.254.3434

EMAIL: [service@veronaappliances.com](mailto:service@veronaappliances.com) or [service@eurochefusa.com](mailto:service@eurochefusa.com)

WEB: [www.veronaappliances.com/service-verona](http://www.veronaappliances.com/service-verona)

MAILING ADDRESS:

EuroChef

41 Mercedes Way, Suite 25

Edgewood, NY 11717