



Product code:

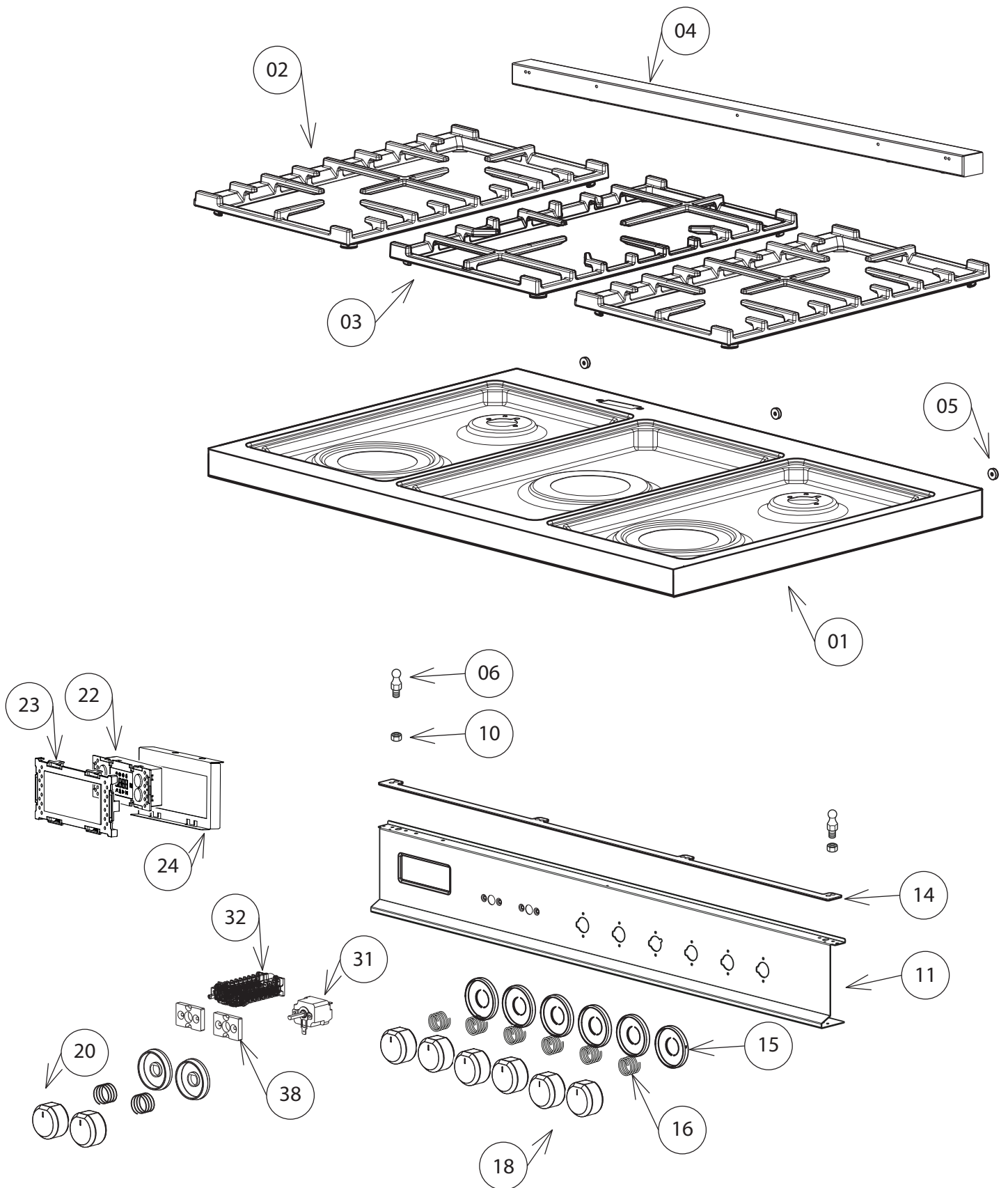
**C36GVR104A**

Product : **Cooker**

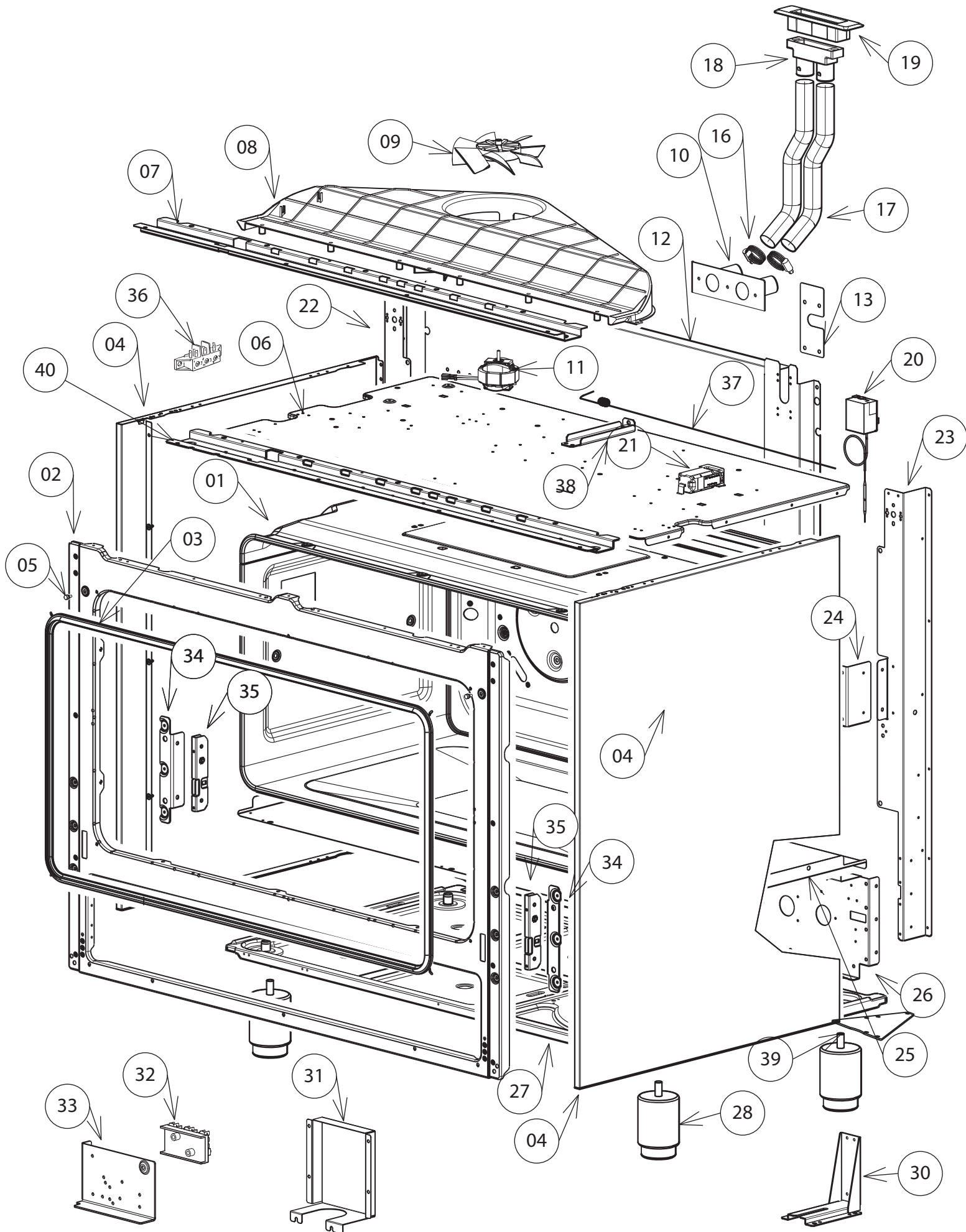
Model : **VUFSGE365E**

Product code	Serial no.	Product remark	Issue no.	Issue date
<b>C36GVR104A</b>				May 2024

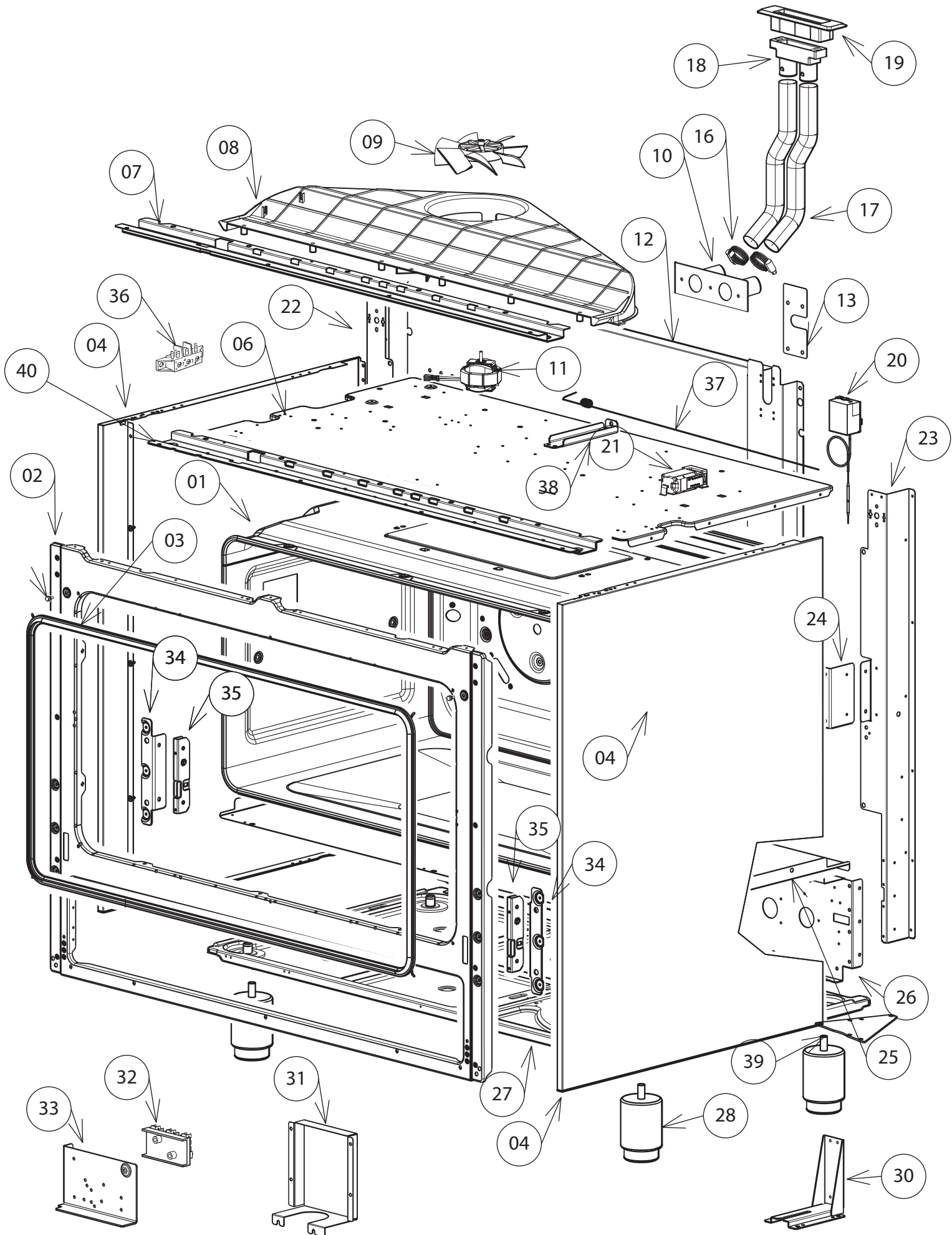
Key part information	



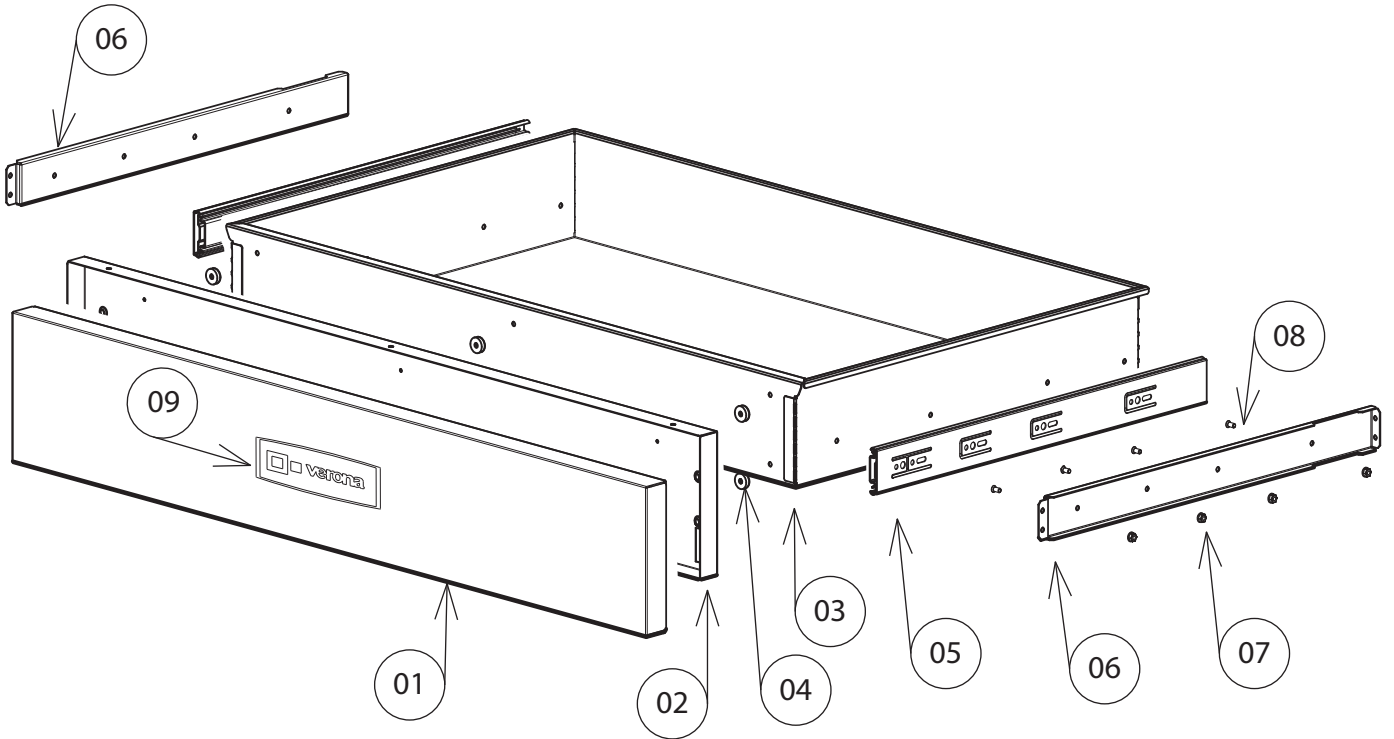
Ref.	Part description	Product code	
		<b>C36GVR104A</b>	
		Feature	Part code
01	HOB TOP LASERED		33136514S
02	PAN SUPPORT		217637
03	CENTRAL PAN SUPPORT		217636
04	REAR TRIM		1031861061A
05	REAR SPACING		040041001
06	PIN		103615
10	NUT		214062
11	CONTROL PANEL		35C9G24AVR
14	UPPER TRIM		51B9G10Z
15	KNOB RING		218000A569
16	KNOB SPRING		035036
18	GAS KNOB		218E00H730
20	SWITCH KNOB		218E00H731
22	PROGRAMMER	240 V 50-60 Hz	074160
23	DISPLAY MASK		1032105
24	PROGRAMMER SUPPORT		094983
31	THERMOSTAT		066141
32	SWITCH		050121
38	SPACER		103948.1



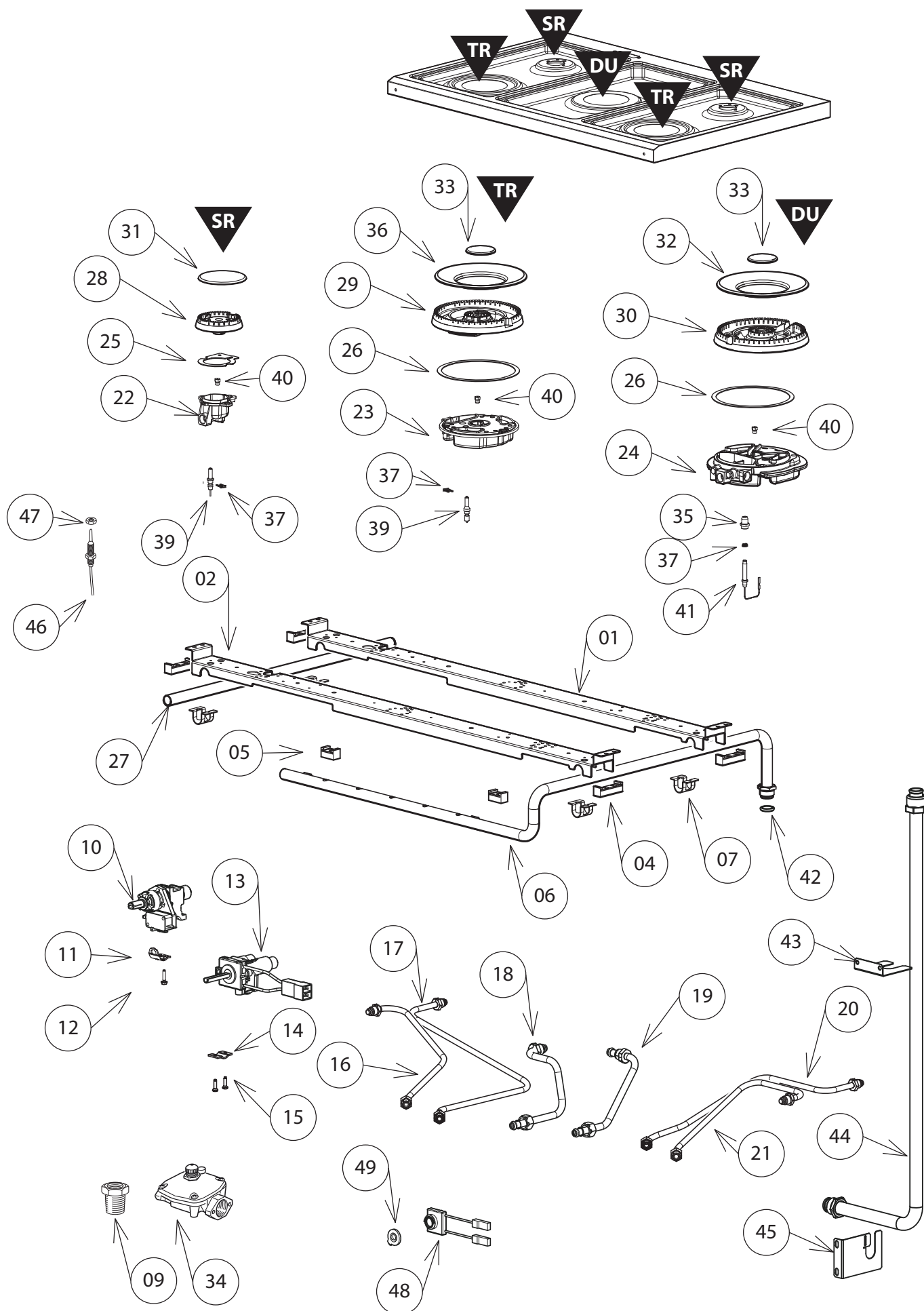
Ref.	Part description	Product code	
		<b>C36GVR104A</b>	
		Feature	Part code
01	OVEN CUBE		4509G1EM41
02	BODY FRONT PANEL		45B9G001G
03	SEAL		053202
04	SIDE PANEL		36C36G01A
05	RUBBER		040076
06	COOLING FAN SUPPORT		4219G04Z
07	CONTROL PANEL TRIM		51B9G20Z
08	SHROUD COOLING FAN		1031842
09	WINGS COOLING FAN		1031843
10	FUMES DISCHARGE CONNECTOR		1031867
11	TANGENTIAL FAN MOTOR	120 V	079080
12	REAR PANEL		4119G02Z
13	BRACKET		094950
16	FASTENER RING		1031522
17	FLEXIBLE HOSE		1031521
18	CHIMNEY		1031520
19	CHIMNEY		1031517
20	THERMOSTAT		066225
21	IGNITION COIL	110-120 V 50-60 Hz	082090
22	TRIM REAR OVEN SUPPORT LH		51B9G05Z
23	TRIM REAR OVEN SUPPORT RH		51B9G06Z
24	REAR COUPLER		094887
25	LOWER PROTECTION		4219G02Z
26	TRIM REAR OVEN SUPPORTLOWER		4219G03Z
27	LOWER ELEMENT COVER		45K96004Z
28	SHIM		1031807
30	ANTI-TILT BRACKET		094755
31	TERMINAL BLOCK COVER		51B9G13Z.1
32	TERMINAL BLOCK ERB-32		051078
33	TERMINAL BLOCK SUPPORT		094894.1
34	SUPPORT FEMALE HINGE		094896 - 094897



Ref.	Part description	Product code	
		<b>C36GVR104A</b>	
		Feature	Part code
35	FEMALE HINGE		063165
36	TERMINAL BLOCK	40 A - 6P	051037
		40 A - 3P	051062
37	SPRING REAR INSULATION		035130
38	PANEL REAR SPACER		094895.1
39	FEET SUPPORT		094913
40	TRIM CONTROL PANEL		51B9G20Z
NI	ROTISSERIE HOLE PLUG		035097
NI	OVEN INSULATION	1 PC	030282
NI	REAR INSULATION	1 PC	030283
NI	FAN INSULATION	2 PCS	030289
NI	LIGHT INSULATION	2 PCS	030229.1



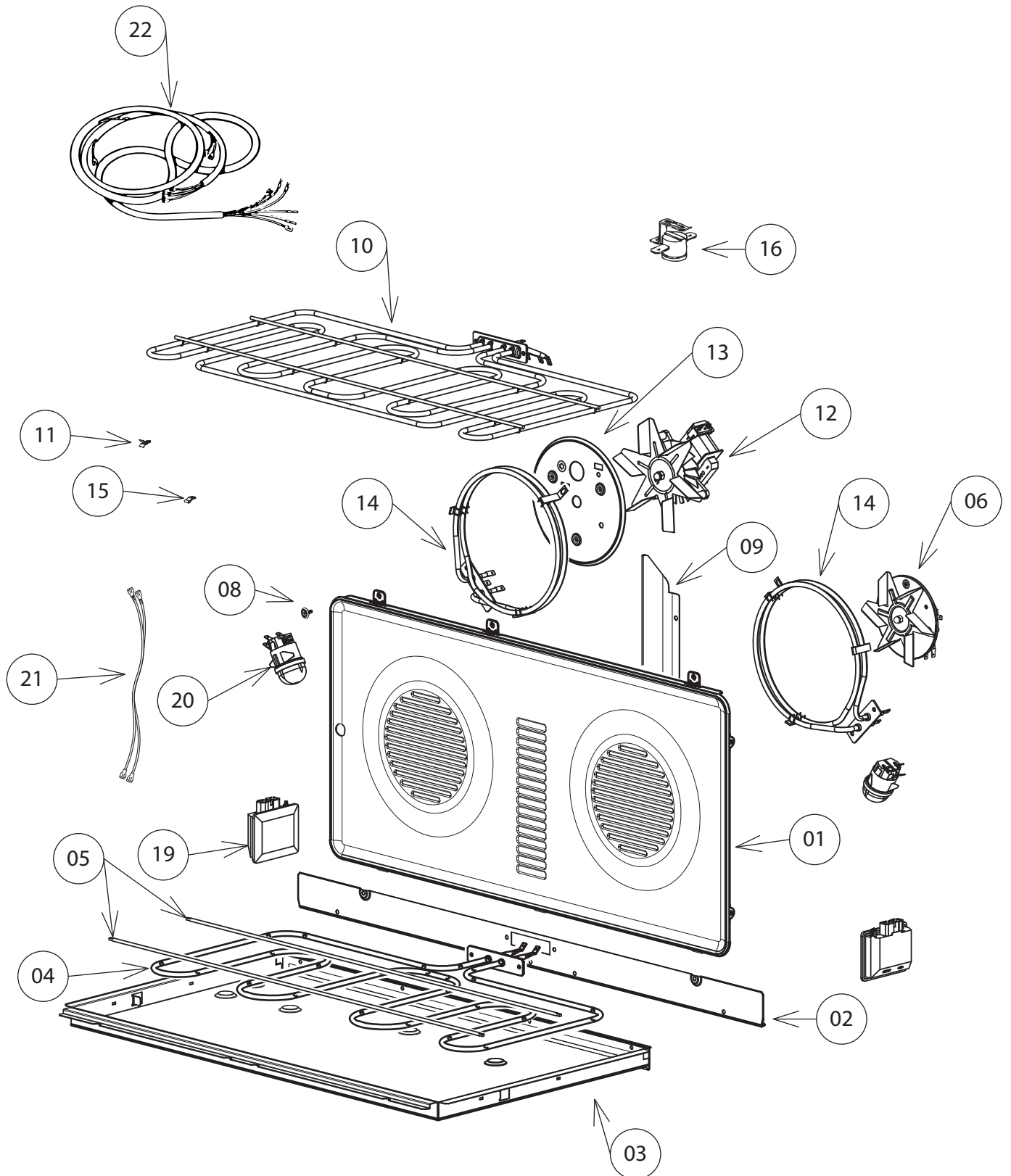
Ref.	Part description	Product code	
		<b>C36GVR104A</b>	
		Feature	Part code
01	LOWER PANEL		371V9G02A
02	INSIDE PANEL		373V9G01A
03	DRAWER		39K9G01X.1
04	SPACER		1031909
05	DRAWER RAIL		103881A
06	TRIM SUPPORT RAIL DRAWER		51B9G08Z
07	NUT		214037
08	SCREW M4X8,5TSP D6,3 ZN/W		001187
09	BADGE		081102



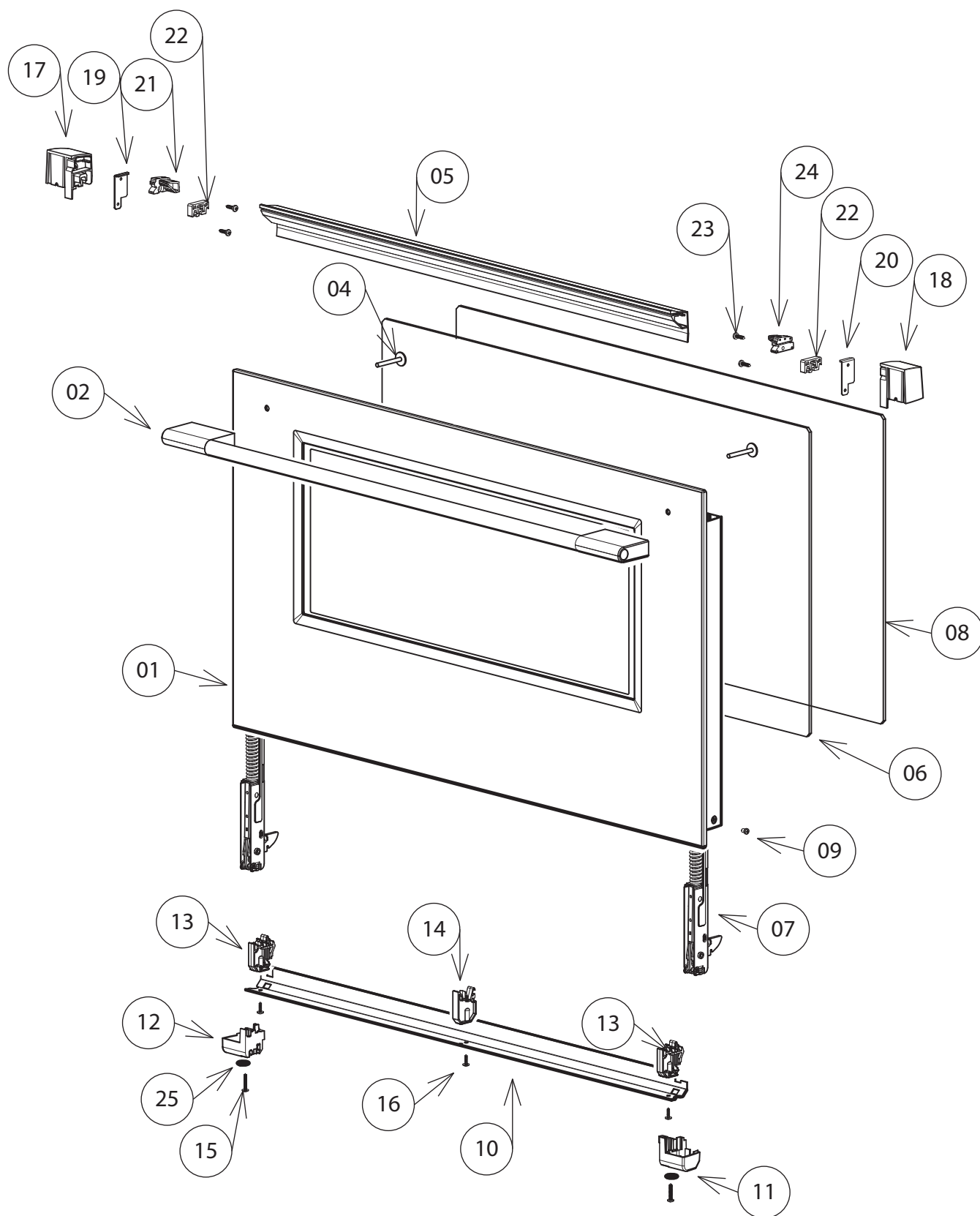
Ref.	Part description	Product code	
		<b>C36GVR104A</b>	
		Feature	Part code
01	BURNER SUPPORT		51B9S16
02	BURNER SUPPORT		51B9S19
04	SPACER		1031639
05			1031840
06	MANIFOLD		34236G6002
07	BRACKET		094793
09	CONNECTION		067033
10	TAP	SR - Ø0.33	106342US
		TR - Ø0.63	106345US
11	BRACKET		094976
12	SCREW		001282
13	TAP	DUAL Ø0.34	106343US
14	BRACKET		094036
15	SCREW		001251
16	TRIPLE RING LEFT INLET PIPE		0291476
17	SR LEFT INLET PIPE		0291477
18	DUAL BURNER INLET PIPE INNER		0291482
19	DUAL BURNER INLET PIPE OUTER		0291483
20	SR RIGHT INLET PIPE		0291480
21	TRIPLE RING RIGHT INLET PIPE		0291484
22	SR BURNER-CUP		215497
23	TRIPLE BURNER-CUP		215500
24	DUAL BURNER-CUP		215507
25	SEAL SR		053104
26	SEAL 3C		053224
27	PIPE ANCHORAGE		3429G01
28	SPREADER SR AR DEF		068168
29	SPREADER TR AR DEF		068170
30	SPREADER DUAL WOK AL AR		068171
31	SR BURNER-CAP		216173005A
32	OUTER BURNER-CAP		216176005A
33	CAP INNER TR DEF		216175005A
34	PRESSURE REGULATOR		103841
35	NUT		214081
36	OUTER BURNER-CAP		216177005A
37	IGNITER SPRING	AU - SR	035094
		DUAL	035139
		TR	035127



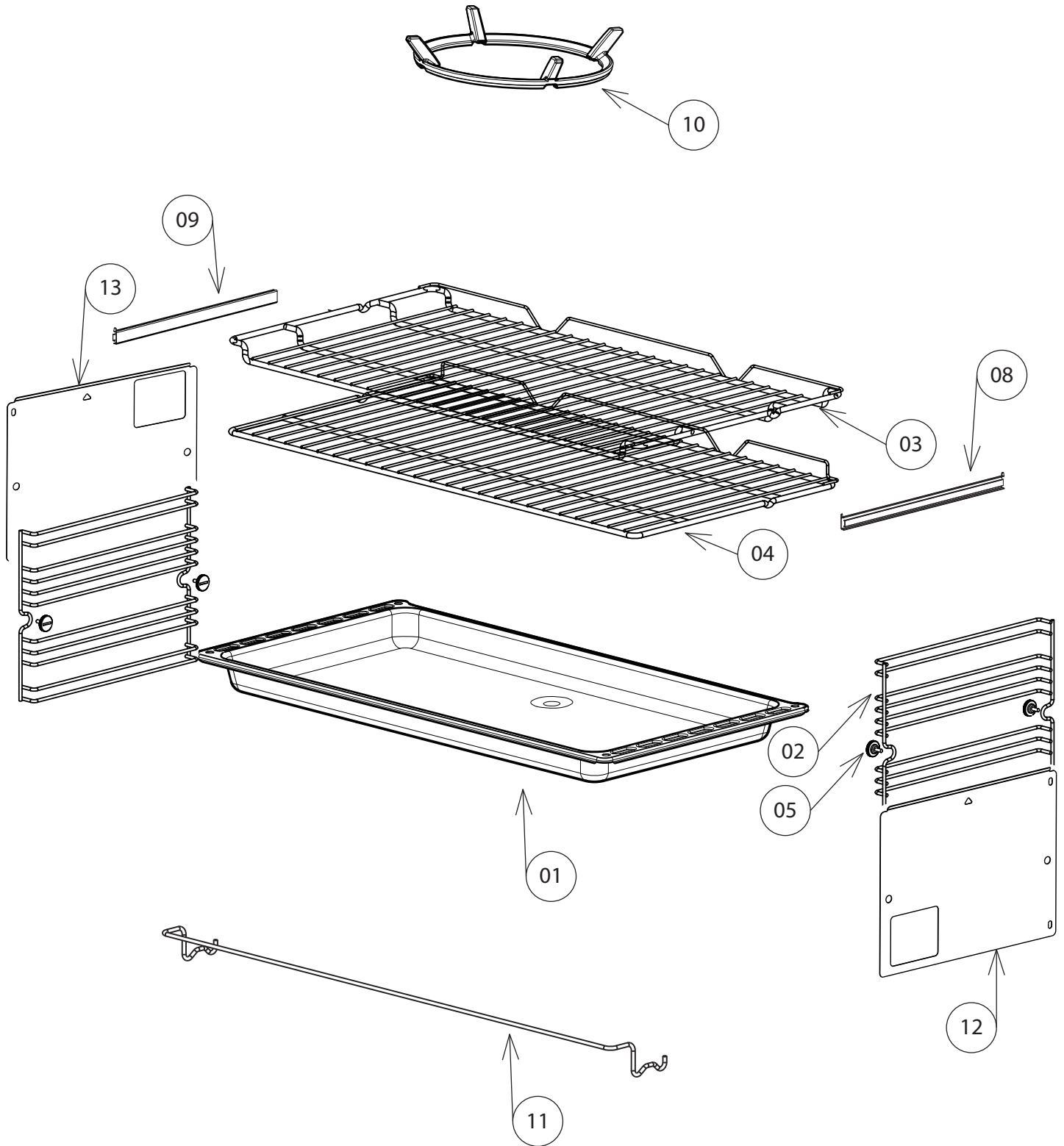
Ref.	Part description	Product code	
		<b>C36GVR104A</b>	
		Feature	Part code
39	ELECTRODE	A - SR - L= 630	084029
		A - SR - L= 900	084036
		TR - L= 510	084084
		TR - L = 800	084086
41	SPARK PLUG	DUAL - L = 600	084085
40	INJECTOR G20	Ø 0.82	101510
		Ø 1.36	101512 (2pcs)
		Ø 1.70	101291 (2pcs)
		Ø 1.90	101511
40	INJECTOR G30	Ø 0.48	101513
		Ø 0.82	101510 (2pcs)
		Ø 1.02	101294 (2pcs)
		Ø 1.12	101260
42	GASKET		053024.1
43	INLET PIPE EXTENSION SUPPORT		094909
44	INLET PIPE EXTENSION		3423604
45	INLET PIPE EXTENSION SUPPORT		094921
46	THERMOCOUPLE	A - SR - L= 500	107039
		A- SR- L= 600	107040
		TR - L= 450	107057
		DUAL = 600	107123
47	THERMOCOUPLE NUT	AU - SR	214057
		DUAL - TR	214067
48	IGNITION SWITCHES		105067
49	RETAINING RING	AU - SR - TR	003117
		DUAL	003112



Ref.	Part description	Product code	
		<b>C36GVR104A</b>	
		Feature	Part code
01	FAN DIFFUSER		47A9G050
02	TRIM ELEMENT BAKE		51B9G07Z
03	LOWER PROTECTION		4219G05Z
04	BOTTOM ELEMENT	240 V	062170001
05	ELEMENT SUPPORT		1031844
06	FAN MOTOR DX	120 V 60 Hz	079081
08	SCREW		001172
09	MOTOR PARTITION		4219G01G
10	TOP+GRILL ELEMENT	240 V	062174001
11	CLIP		213026
12	FAN MOTOR SX	120 V 60 Hz	079078
13	MOTOR SUPPORT		51BFG01
14	CIRCULAR ELEMENT	240 V	062173001
15	CLIP		213031
16	CUT-OFF THERMOSTAT 80°C		066145
19	SIDE LAMP HOLDER	120 V	072035
20	LAMP HOLDER		072034
21	HARNESS SIDE LAMP		1132482
22	WIRING		1133020



Ref.	Part description	Product code	
		<b>C36GVR104A</b>	
		Feature	Part code
01	OVEN DOOR GLASS ASSY		0329G014
02	HANDLE ASSY		037384062
04	SCREW		001265
05	UPPER DOOR TRIM		51B9G18A
06	INNER DOOR GLASS		0313386
07	OVEN DOOR HINGE		063171
08	INNER DOOR GLASS		0313374
09	SCREW		001288
10	BOTTOM DOOR TRIM		51B9G21A
11	CORNER DOOR LOWER RH		069119
12	CORNER DOOR LOWER LH		069120
13	RETAINER DOOR GLASS		069097
14	SUPPORT DOOR GLASS		069098
15	SCREW		001355
16	SCREW(BREV.KIL)8PX13TMT ZN		001056
17	UPPER CORNER		069118
18	UPPER CORNER		069117
19	BRACKET CORNER LEFT		094714
20	BRACKET CORNER RIGHT		094715
21	BRACKET		069106
22	RUBBER		040082
23	SCREW		001311
24	BRACKET		069105
25	WASHER		003113



Ref.	Part description	Product code	
		<b>C36GVR104A</b>	
		Feature	Part code
01	OVEN TRAY BROILER		48B6105G
	BROILER PAN		48B9G01G
	OVEN TRAY AIR FRY		48BF907G.1
02	SHELF SUPPORT		217789
03	SHELF DROP DOWN		217812
04	SHELF FLAT		217785.1
05	SCREW SHELF SUPPORT		001142
08	RIGHT TELESCOPIC RUNNER		1031782 (2pcs)
09	LEFT TELESCOPIC RUNNER		1031783 (2pcs)
10	WOK SUPPORT		217818
11	GUARD RAIL		1031906
12	LATERAL CATALYTIC PANEL RIGHT		473270
13	LATERAL CATALYTIC PANEL LEFT		473260
NI	BOOK USER		1106663
NI	BOOK INSTALLER		1106662
NI	LPG CONVERSION KIT		61036G06